

SPECIFICATIONS:

INSTALLATION:	WALLMOUNT OR VANITY TOP	
EXTERIOR DIMENSIONS:	21-3/4"w x 10-5/8"d x 5 3/8"h	
BASIN DIMENSIONS:	15-1/4"w x 8-1/2"d x 3-3/4"h	
MATERIAL:	CONCRETE	
WEIGHT:	54 lbs	
OVERFLOW:	NO	
FINISHES:	TER - Terracotta SLT - Slate CHL - Charcoal SND - Sand MOS - Moss LIL - Lilac CLY - Clay	SUN - Sun GAL - Galaxy AQU - Aqua MAH - Matcha BRK - Brick BST - Basalto FOR - Forest Green
FAUCET HOLES:	00 - NO HOLE	01 - ONE HOLE
FAUCET HOLE SIZE:	1-3/8" dia	
DRAIN HOLE SIZE:	1-5/8" dia	



FEATURES:

- CONCRETE SINK WITHOUT OVERFLOW
- WALL MOUNTED USING SURFACE MOUNT BRACKET **BR1708**, WALL STUD BRACKET **BR-ST12**, OR USED ON TOP OF VANITY
- **BR1708** BRACKET IS 17"W X 8-11/16"D X 3"H
- **BR-ST12** BRACKET IS 2-7/8"W X 12"D X 12"H
- PROUDLY HANDMADE IN THE USA

CODES AND STANDARDS:

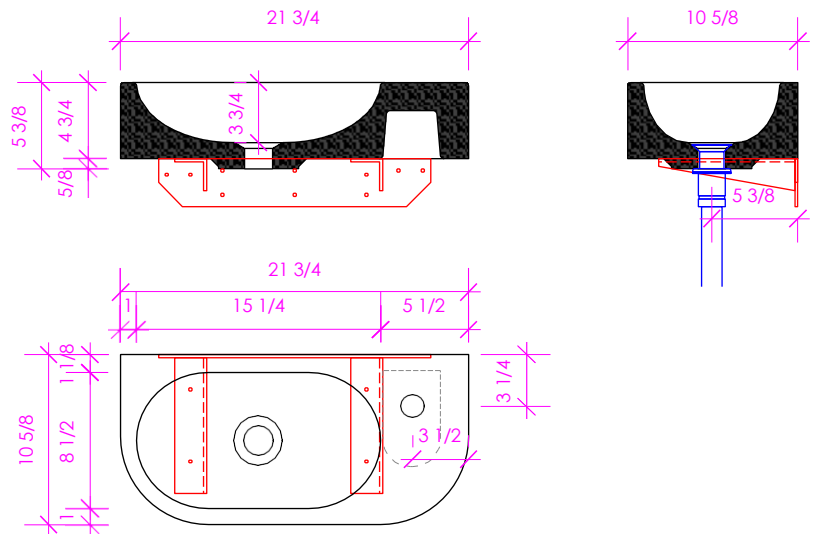
- MEETS AND EXCEEDS APPLICABLE NATIONAL CODES AND STANDARDS

RECOMMENDED ITEMS:

- BRACKET:
BR1708 (17"W X 8-11/16"D X 3"H)
 OR
BR-ST12 (2-7/8"W X 12"D X 12"H)
- DRAIN:
 7100-13 - STATIONARY EUROPEAN DRAIN
 7100-15 - CLICK CLACK EUROPEAN DRAIN

CARE AND MAINTENANCE:

- DUE TO THE NATURE OF CONCRETE MATERIAL, PLEASE DO NOT OVERTIGHTEN THE DRAIN AND OTHER HARDWARE AS IT MAY CAUSE THE SINK TO CHIP OR CRACK
- [SEE FAQ FOR MORE ON PROPER CARE AND MAINTENANCE](#)



SHOWN WITH
BR1708

LACAVA reserves the right to revise any dimension or information on this sheet without notice. Dimensions are nominal and may vary within an industry accepted tolerance of 1/4". Cabinets with 'vanity top' sinks are made to the matching sink and dimensions may vary. LACAVA is not responsible for any cutouts, countertops, or furniture made without the actual product or template. Differences in color, grain, appearance, and texture are inherent in all natural woodwork and should be expected. Variances in these qualities are not deemed manufacturing defects and will not be accepted as valid reasons for return or exchanges. Plumbing specifications are only a guideline and may need alteration based on application.

Unique Nature of Concrete



Our handcrafted concrete sinks celebrate their natural, unique character, featuring variations in color, texture, pores, lines, seams, and small surface holes caused by trapped air during casting - all of which are inherent and do not compromise durability. Made from traditional mixes of gravel, crushed stone, sand, and cement, each piece is individually crafted, resulting in one-of-a-kind products with organic, stone-like qualities and a rich patina, emphasizing the beauty of natural imperfections. These features, including visible aggregates, subtle cracks, and color and texture variations due to the mixing process and curing, are natural to concrete, highlighting its authentic and artisanal nature. Please consider your comfort level with these distinctive characteristics before placing an order, as each sink will be unique in nature and slightly different from the photography shown on our website.

