

Product Features

Compatible with 36" wide Professional Wall Hoods

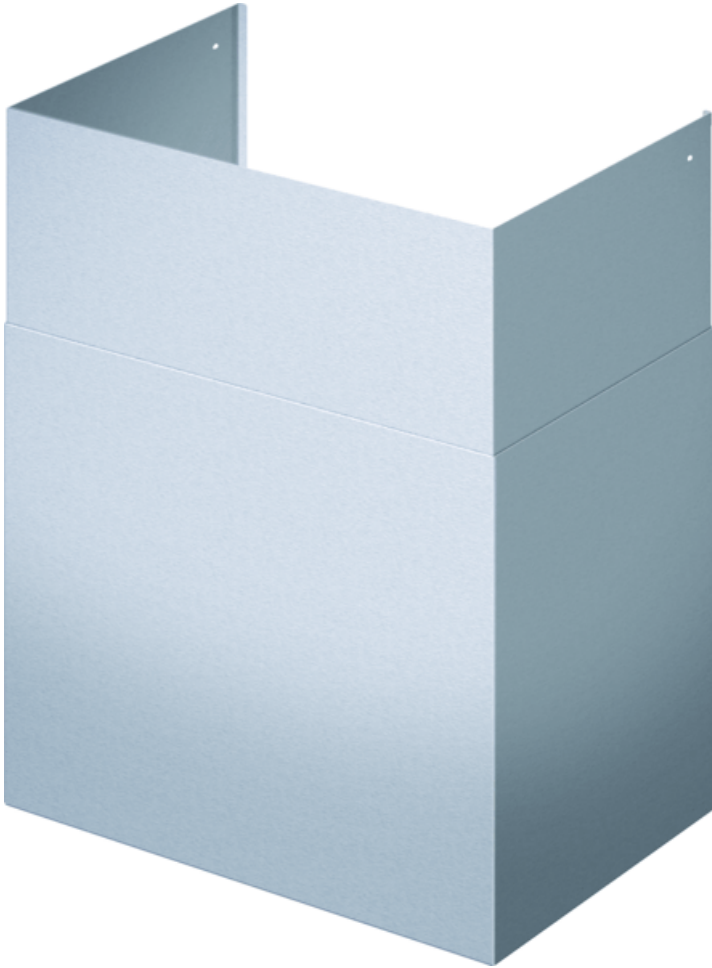
Telescoping design

Perfect match to stainless steel finish of the Thermador Professional Wall Hoods

Two pieces included in the telescoping design

Lower duct cover piece is 30" Tall; Upper duct cover piece is 32" tall

Can also be installed with only lower duct cover piece

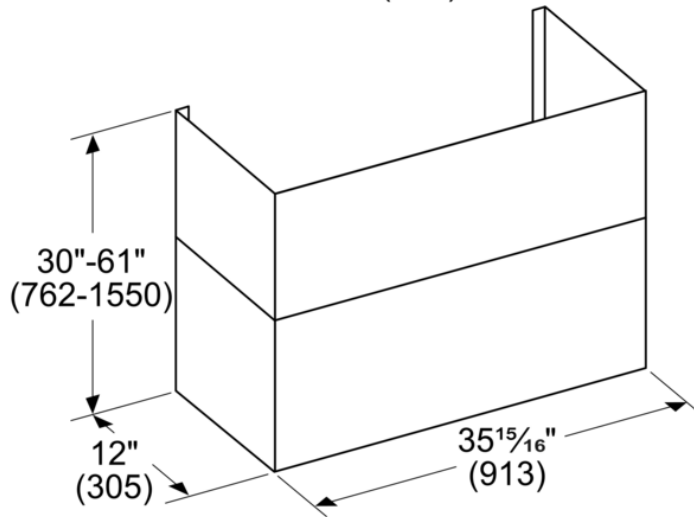


Notes: Please refer to installation instructions. Installation instructions are available at www.thermador.com. Specifications are correct at the time of printing. Thermador reserves the right to change product specifications and design at any time, without notice.

1 800 735 4328 | WWW.THERMADOR.COM | 1901 Main Street, Suite 600 Irvine, CA 92614

©2021 BSH HOME APPLIANCES CORPORATION, ALL RIGHTS RESERVED LITHO DATE: 01/2021

measurements in inches (mm)



Product Features

	Accessory
Brand	Thermador
SKU	DC361012W
Internal article number	00000000023000923
EAN code	825225962076
Product packaging dimensions (HxWxD) (in)	45 1/8" x 23 5/8" x 16 7/8"
	33
	33
UPC code	825225962076
Product image	12847102_DC361012W_def.jpg

Technical Specification

Notes: Please refer to installation instructions. Installation instructions are available at www.thermador.com. Specifications are correct at the time of printing. Thermador reserves the right to change product specifications and design at any time, without notice.

1 800 735 4328 | WWW.THERMADOR.COM | 1901 Main Street, Suite 600 Irvine, CA 92614

©2021 BSH HOME APPLIANCES CORPORATION, ALL RIGHTS RESERVED LITHO DATE: 01/2021