



Electronic Faucets

Hardwire Operated - Single Hole Deck Mount
Gooseneck Faucet - Recessed Control Box

Model No: 620TPA3328TR

COMPLIES WITH:

- CSA certified
- Complies to ASME A112.18.1/CSA B125.1
- Indicates compliance to ICC/ANSI A117.1
- Verified compliant with 0.25% weighted average Pb content regulations
- Outlet option 2 is EPA WaterSense listed
- Patented
- **NOTE 1:** Designed for routine 180°F (82°C) disinfection cycles up to 10 minutes.
- **NOTE 2:** Use only Delta® supplied cable sets. Using non-Delta® cables, cutting or splitting any components will void the warranty.
- **NOTE 3:** Proximity® models **not** for use on enamel covered metal sinks or metal counter tops.
- **NOTE 4:** Use 2-conductor 18 AWG wire for **all** electrical connections.
- **NOTE 5:** Use Delta® Commercial approved AC filters and transformers.
- (Contact Delta Representative for State and/or Local Approvals)



NOTES:

Control Box(8TR) -NOTES:

Supplied as trim parts only - includes Stainless Steel Cover, Solenoid and Driver Board

Requires Rough-in Product Number ELAVT0008ARI OR ELAVT0001ARI to be ordered separately - see ELAVT0008ARI or ELAVT0001ARI

SPECIFICATION:

- Proximity® Sensing Technology
- Adjustable sensing range and timeout
- Serviceable filter screen upstream of the solenoid valve
- Optional 4" Coverplate - 061269A (purchased separately)
- Chrome Finish
- Spout#: 3 - Single Hole Deck Mount Gooseneck Spout
- Outlet#: 2 - Vandal Resistant 1.5 gpm (5.7 L/min.) Laminar Outlet
- Mixing valve required for models used with ELAVT0001ARI (order separately)
- Supplied as trim parts only – requires separate order of ELAVT0001ARI or ELAVT0008ARI rough-in to have complete product
- AC Filter required for hardwire Proximity® models. One (1) AC filter for up to 5 valves - see 063271A – AC Filter only (separate order) or 063267A - AC Filter & Transformer (separate order).
- Multi-unit transformer required for hardwire Proximity® models - see 060771A, RP32508, or 060704A (separate order).

OPERATION:

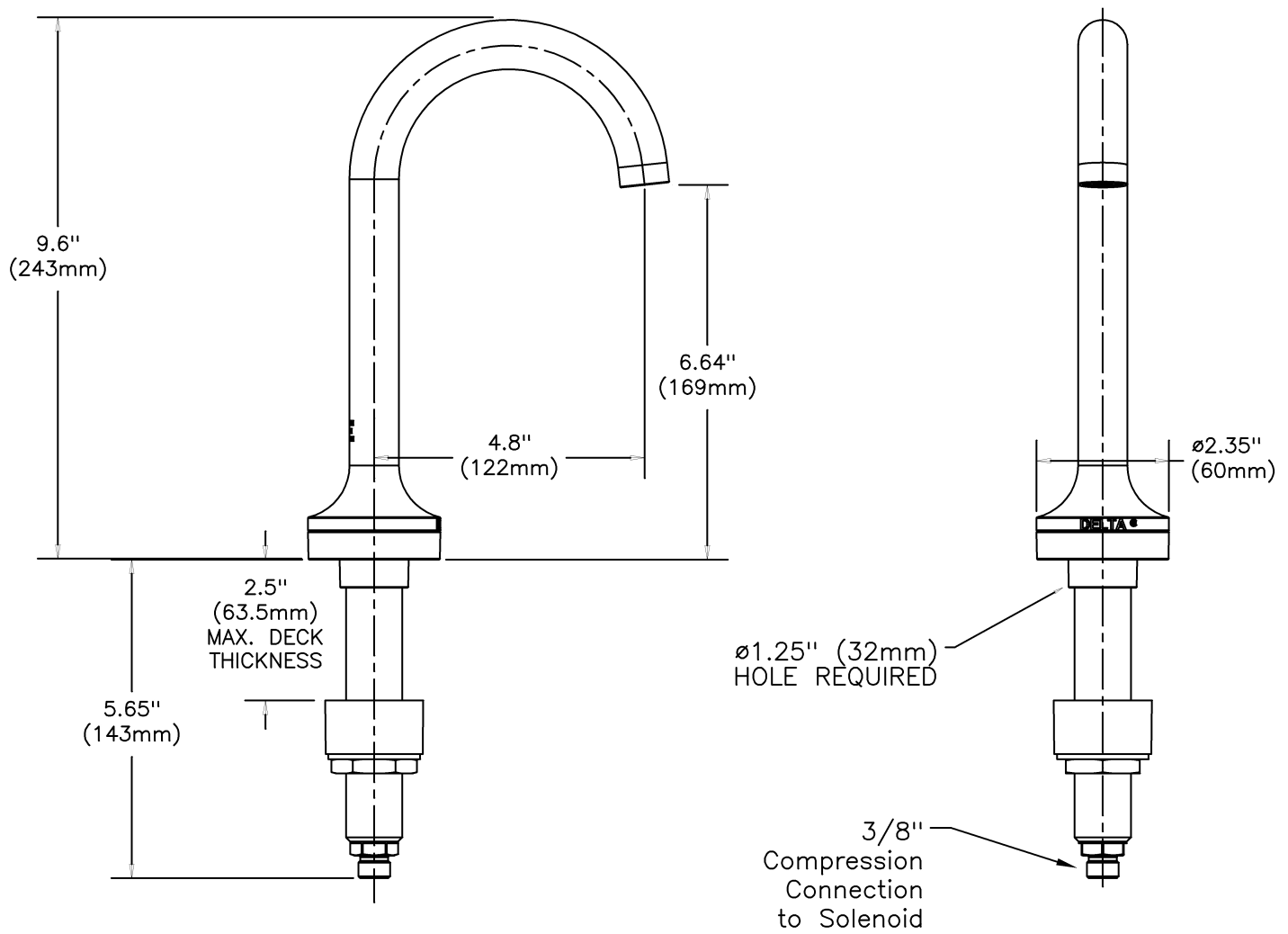
- Hands free (touchless) operation.
- No visible sensor, the spout is the sensor.
- Water flows when sensing is activated.
- Water flow stops upon de-activation of sensing.
- Adjustable sensing distance factory set to 3" (76 mm).
- Adjustable auto shut off feature. Factory set to 45 seconds.
- Metering mode with selectable flow times of 7 seconds to 4 minutes, factory set off.
- Periodic Rinse feature, time adjustable in 6 hour increments up to 2 days. Selectable rinsing time from 10 to 180 seconds. Factory set off.

(Dimensional drawing on following page)

Delta reserves the right (1) to make changes to specifications and materials, and (2) to change or discontinue models, both without notice or obligation. Dimensions are for reference. Measurement may vary plus or minus 6mm(0.25"). Mounting locations are suggested only. Check with local codes for requirements in your area. This spec was produced April 20, 2021.

Delta Faucet Company - 55 East 111th St. - Indianapolis, Indiana, USA 46280 - (317) 848-1812
Delta Faucet Canada - 395 Matheson Blvd E - Mississauga, Ontario, Canada L4Z 2H2 - (905) 712-3030

Model No: 620TPA3328TR



Delta reserves the right (1) to make changes to specifications and materials, and (2) to change or discontinue models, both without notice or obligation. Dimensions are for reference. Measurement may vary plus or minus 6mm(0.25"). Mounting locations are suggested only. Check with local codes for requirements in your area. This spec was produced April 20, 2021.

Delta Faucet Company - 55 East 111th St. - Indianapolis, Indiana, USA 46280 - (317) 848-1812
 Delta Faucet Canada - 395 Matheson Blvd E - Mississauga, Ontario, Canada L4Z 2H2 - (905) 712-3030