



Electronic Flush Valves & Retrofit Kits

Battery flush valve for 3/4" top spud flushing URINAL with H2Optics® SENSOR ON VALVE - maximum 13" height (c/l of inlet to top of urinal)

Model No: 81T231BTA-05-MMO-BL

COMPLIES WITH:

- IAPMO listed to ASSE 1037/ ASME A112.1037/ CSA B125.37
- Indicates compliance to ICC / ANSI A117.1
- Patented
- EPA WaterSense Listed
- (Contact Delta Representative for State and/or Local Approvals)



SPECIFICATION:

- Polished chrome plated vandal resistant metal cover with top mounted sensor operated H2Optics® electronics
- True mechanical manual override button
- Right or left-hand supply installation
- ADA compliant, automatic operation battery powered infrared sensor
- Scratch resistant replaceable lens window
- Four (4) size AA alkaline batteries factory installed with valve in sleep mode for easy installation
- Hinged battery housing for easy maintenance
- Low battery flashing light (5,000 flushes remaining) with battery strength indicator
- Infrared sensor range adjustment of 203 mm - 610 mm (8" - 24"), factory set at 16" (±2")
- Optional 24 hour automatic flush factory set to off
- Set-up sensor range adjustment indicator lights
- 6 VDC input, 6 second arming delay
- Electronic operated non-hold-open metal manual override button with 5 second lockout
- Quiet action, TECK® exposed diaphragm flush valve
- Chloramine resistant diaphragm
- Brass diaphragm retainer
- Renewable seat
- Polished chrome-plated body
- 1" FIP / 3/4" copper sweat inlet adaptor, angle check stop with protecting cap
- Matte Black w/Chrome Finish (BL)
- Factory Set to 0.5L (0.125 Gal.) - NOT FIELD ADJUSTABLE

OPERATION:

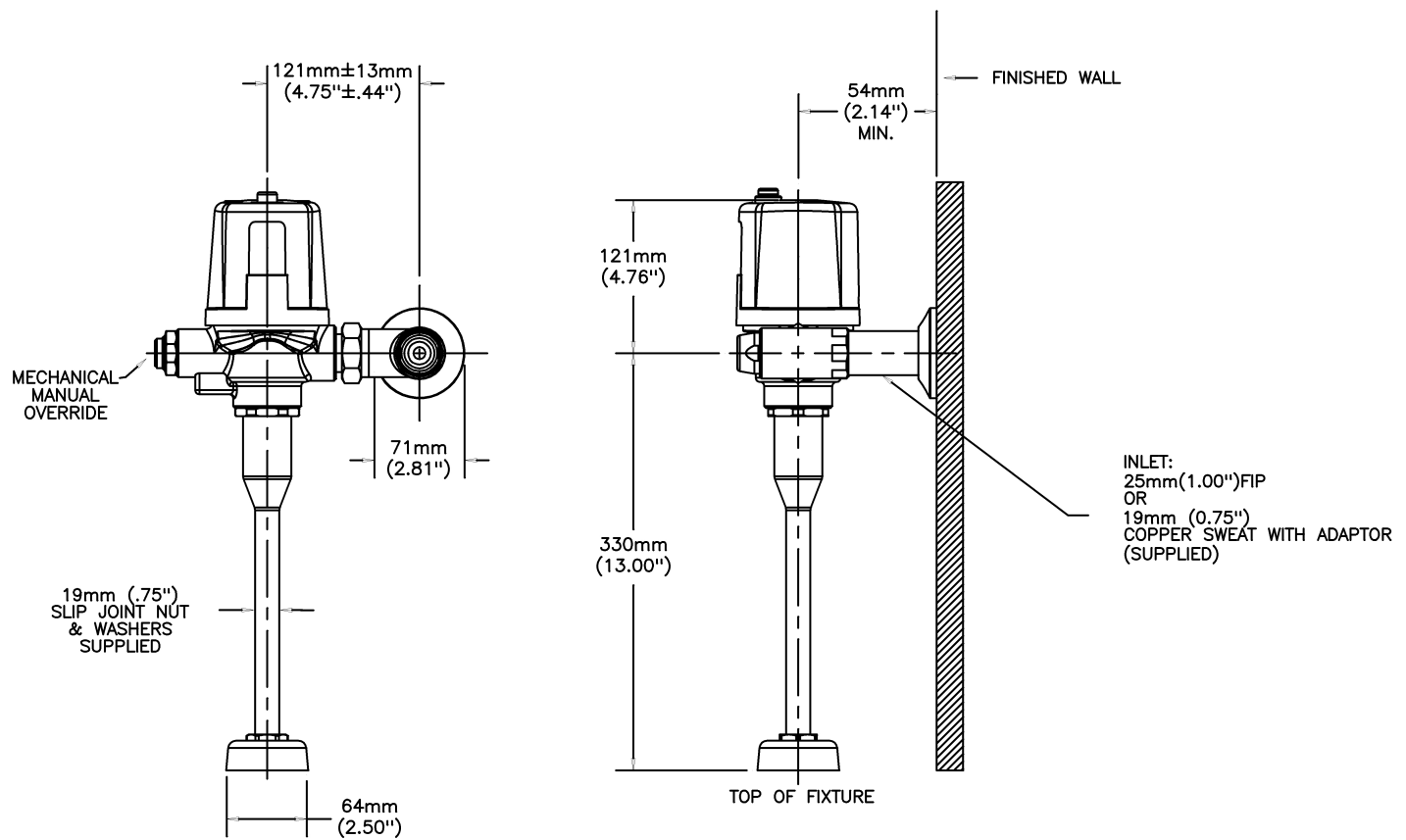
- **Recommended water supply:**
Minimum flowing pressure – 25 psi (172 kPa)
Minimum flow rate – 8 gpm (30 L/min)

(Dimensional drawing on following page)

Delta reserves the right (1) to make changes to specifications and materials, and (2) to change or discontinue models, both without notice or obligation. Dimensions are for reference. Measurement may vary plus or minus 6mm(0.25"). Mounting locations are suggested only. Check with local codes for requirements in your area. This spec was produced July 06, 2021.

Delta Faucet Company - 55 East 111th St. - Indianapolis, Indiana, USA 46280 - (317) 848-1812
Delta Faucet Canada - 395 Matheson Blvd E - Mississauga, Ontario, Canada L4Z 2H2 - (905) 712-3030

Model No: 81T231BTA-05-MMO-BL



Delta reserves the right (1) to make changes to specifications and materials, and (2) to change or discontinue models, both without notice or obligation. Dimensions are for reference. Measurement may vary plus or minus 6mm(0.25"). Mounting locations are suggested only. Check with local codes for requirements in your area. This spec was produced July 06, 2021.

Delta Faucet Company - 55 East 111th St. - Indianapolis, Indiana, USA 46280 - (317) 848-1812
Delta Faucet Canada - 395 Matheson Blvd E - Mississauga, Ontario, Canada L4Z 2H2 - (905) 712-3030