



Metering Faucets

3 Hole 4" single push button metering faucet w/ brass cover plate-0.5 gpm Vandal resistant outlet

Model No: 86T0104

COMPLIES WITH:

- CSA certified.
- Complies to ASME Standard A112.18.1/CSA B125.1.
- Verified compliant with 0.25% weighted average Pb content regulations
- (Contact Delta Representative for State and/or Local Approvals)



SPECIFICATION:

- Single push button non-mixing metering faucet
- With cast brass cover plate
- 3 hole 4" centers(faucet does not lock to coverplate)
- Vandal resistant push button
- 4.25" long rigid spout
- Vandal resistant 0.5GPM (1.9L/min) flow control non-aerating spray outlet
- Polished chrome plate finish
- Slow close cartridge

OPERATION:

- Not Available

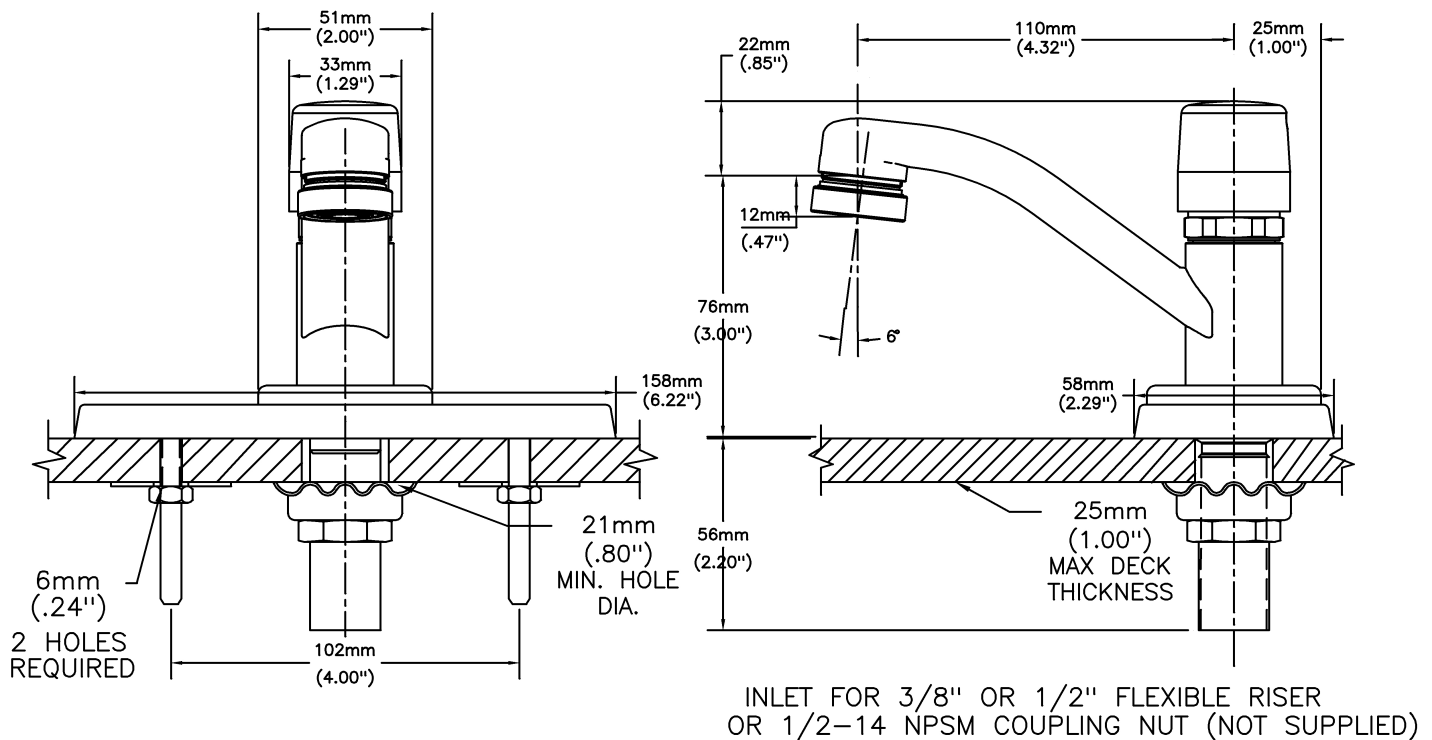
(Dimensional drawing on following page)

Delta reserves the right (1) to make changes to specifications and materials, and (2) to change or discontinue models, both without notice or obligation. Dimensions are for reference. Measurement may vary plus or minus 6mm(0.25"). Mounting locations are suggested only. Check with local codes for requirements in your area. This spec was produced April 13, 2021.

Delta Faucet Company - 55 East 111th St. - Indianapolis, Indiana, USA 46280 - (317) 848-1812
Delta Faucet Canada - 395 Matheson Blvd E - Mississauga, Ontario, Canada L4Z 2H2 - (905) 712-3030

Model No: 86T0104

-FACTORY SET FOR 7 TO 18 SECOND CYCLE AT 50 PSI
 -TOTAL FLOW NOT TO EXCEED 0.25 US GPM PER
 PUSH BUTTON ACTIVATION



Delta reserves the right (1) to make changes to specifications and materials, and (2) to change or discontinue models, both without notice or obligation. Dimensions are for reference. Measurement may vary plus or minus 6mm(0.25"). Mounting locations are suggested only. Check with local codes for requirements in your area. This spec was produced April 13, 2021.

Delta Faucet Company - 55 East 111th St. - Indianapolis, Indiana, USA 46280 - (317) 848-1812
 Delta Faucet Canada - 395 Matheson Blvd E - Mississauga, Ontario, Canada L4Z 2H2 - (905) 712-3030