

Optional Spouts – Lab Line



W6890

C.P. rigid/swivel gooseneck, 3/8" M.I.P. inlet connection, 3/8" M.I.P. outlet connection. Includes GN spout adaptor. Outlet must be ordered separately

W6850

C.P. angle vacuum breaker spout assembly featuring TECK® rigid/swivel connection and 6.4 mm (1/4") nozzle. Includes GN spout adaptor. Faucets with W6850 spout can be specified using "-10" after base faucet number (i.e., W6600 becomes W6600-10)



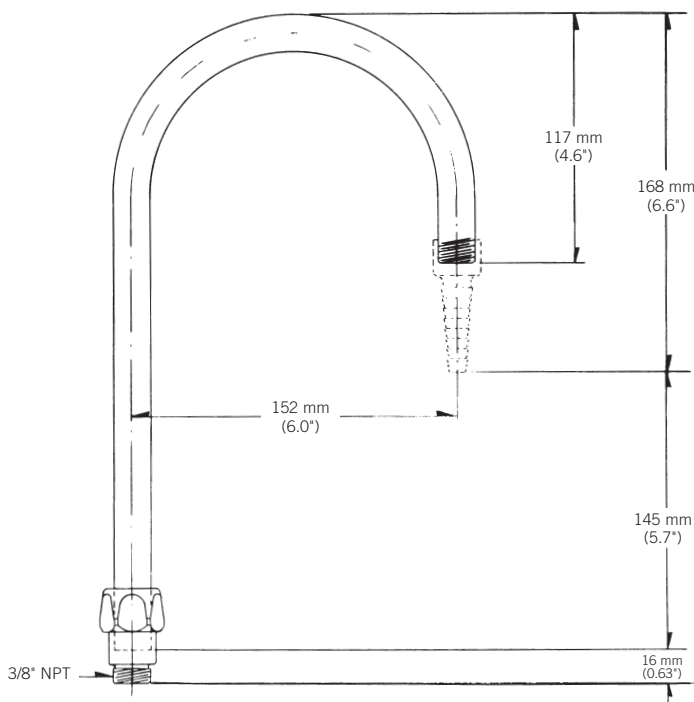
Optional Spouts

Suffix	Optional Spouts (Separate Order)	Rigid/Swivel Spout Description	"A"		"C"		"L"	
			mm	inches	mm	inches	mm	inches
R2	W6890-1	Regular Gooseneck Spout	114	4.5	104	4.1	170	6.7
R4	W6890-2	Regular Gooseneck Spout	152	6	124	4.9	146	5.8
R5	W6890	Regular Gooseneck Spout	152	6	124	4.9	188	7.4
R6	W6890-4	Regular Gooseneck Spout	152	6	124	4.9	229	9
R7	W6890-5	Regular Gooseneck Spout	229	9	163	6.4	170	6.7
R23	W6850	Angle VB Gooseneck Spout	152	6	135	5.3	188	7.4

Gooseneck spouts are made from .09" heavy wall seamless brass pipe.

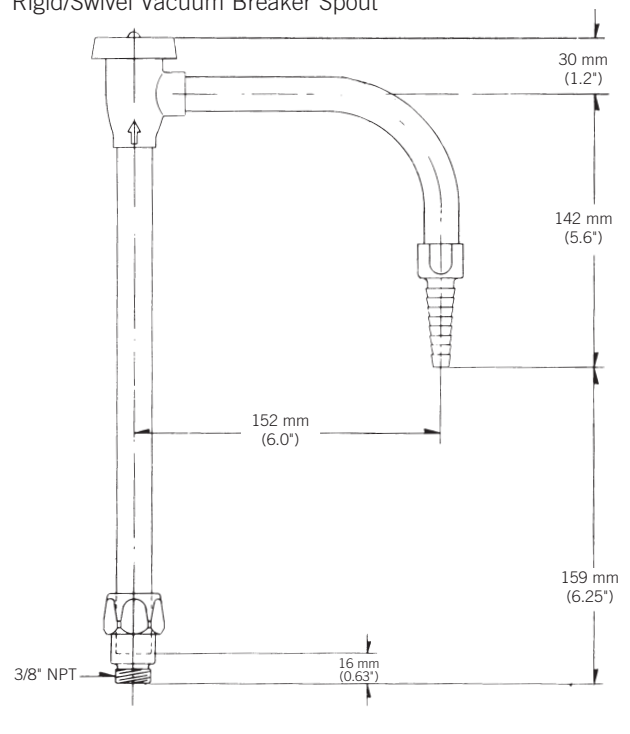
W6890

Rigid/Swivel Gooseneck Spout



W6850

Rigid/Swivel Vacuum Breaker Spout



Refer to www.specselect.com for individual models.