

Rigid/Swivel Spouts

TECK[®]
COMMERCIAL

DELTA[®]

W6890

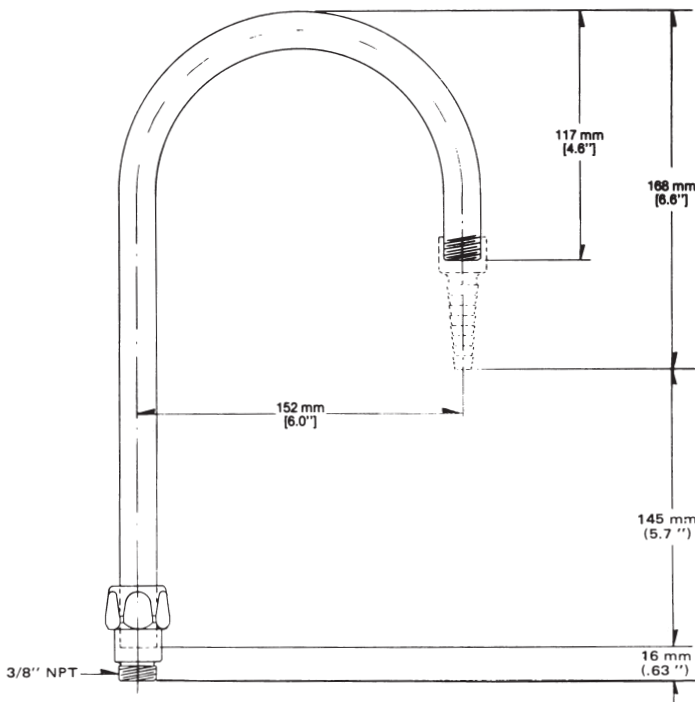
C.P. rigid/swivel gooseneck, 3/8" M.I.P. inlet connection, 3/8" M.I.P. outlet connection. Includes GN spout adaptor. Outlet must be ordered separately

W6850

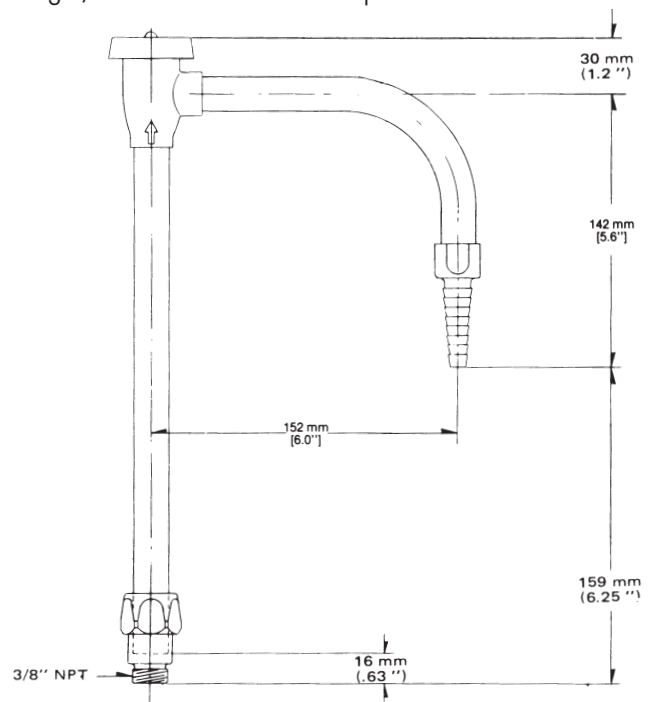
C.P. angle vacuum breaker spout assembly featuring Teck[®] rigid/swivel connection and 6.4 mm (1/4") nozzle. Includes GN spout adaptor. Faucets with W6850 spout can be specified using "-10" after base faucet number (i.e., W6600 becomes W6600-10)



W6890
Rigid/Swivel Gooseneck Spout



W6850
Rigid/Swivel Vacuum Breaker Spout



Optional Sizes:

•W6890 style

- W6890-6 3.5" Radius (R1)
- W6890-1 4.5" Radius (R2)
- W6890-7 6" Radius (R3)
- W6890-2 6" Radius (R4)
- W6890 6" Radius (R5)
- W6890-4 6" Radius (R6)
- W6890-5 9" Radius (R7)
- W6890-8 9" Radius (R8)

Optional Sizes:

•W6850 style

- W6850 6" Radius (R23)
- W6850-1 6" Radius (R22)
- W6850-8 8" Radius (R24)
- W6850-9 9" Radius (R25)
- W6850-12 12" Radius (R26)

Note: Measurements may vary \pm 6mm (0.25")

Refer to www.specselect.com for individual models.

Note: Use this page front and back as a product submittal sheet.