

LACAVA

LA SCALA vanity-top or vessel sink DE311LH/DE311RH

Specifications:

Installation:	Vanity-top or vessel
Exterior Dimensions:	23 5/8" w x 15 3/4" d x 5 3/8" h
Material:	Solid surface
Weight:	36 lbs
Overflow:	Yes
Finishes:	M – Matte G - Gloss white
Faucet Holes:	00 - no hole 01 - one centered over drain 02 - two on the long deck - center and right 03 - three in 8" spread on the long deck Other holes drilled to order when requested - please mark in the specs
Cut-out Size:	12" x 12" (template available upon request)
Faucet Hole Size:	Ø 1 3/8"
Drain Hole Size:	Ø 1 3/4"



Features:

- Solid surface sink with overflow
- Glazed back
- Unglazed bottom
- Material is stain, scratch, chemical, and impact resistant
- Designed by Paolo Demarco
- DE311LH - sink on the left
- DE311RH – sink on the right

Codes + Standards:

- Meets and exceeds applicable national codes and standards



compliant when installed to specific requirements of this regulation

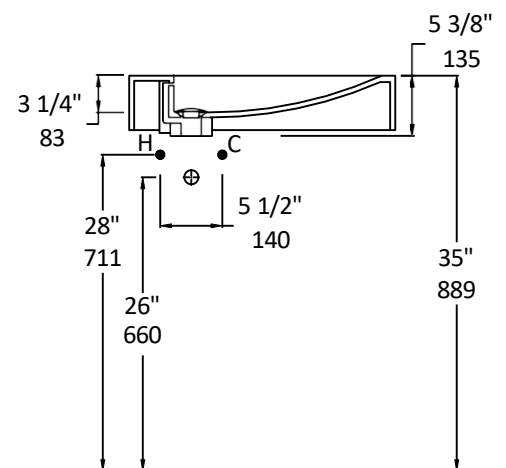
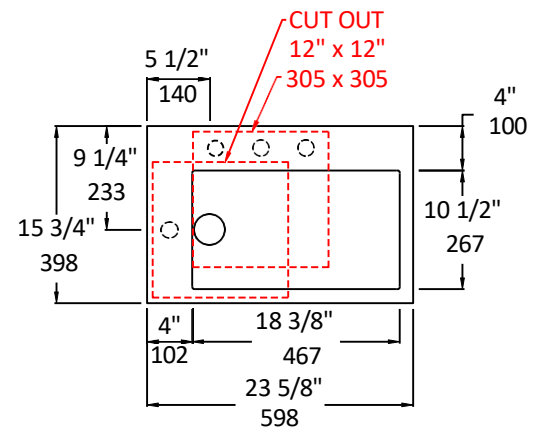
Recommended Items:

- European drain with overflow
 - 7100-16OF

Care + Maintenance:

- To prevent damage to the solid surface material, hot objects and open flame should not be placed in direct contact with the surface

[Click Here](#) to find out more about proper care and maintenance



LACAVA reserves the right to revise any dimension or information on this sheet without notice. Dimensions are nominal and may vary within an industry accepted tolerance of 1/4". Drawings provided herein are meant to give the user an idea of the product and are not made to scale.

Revised: 12/15/25