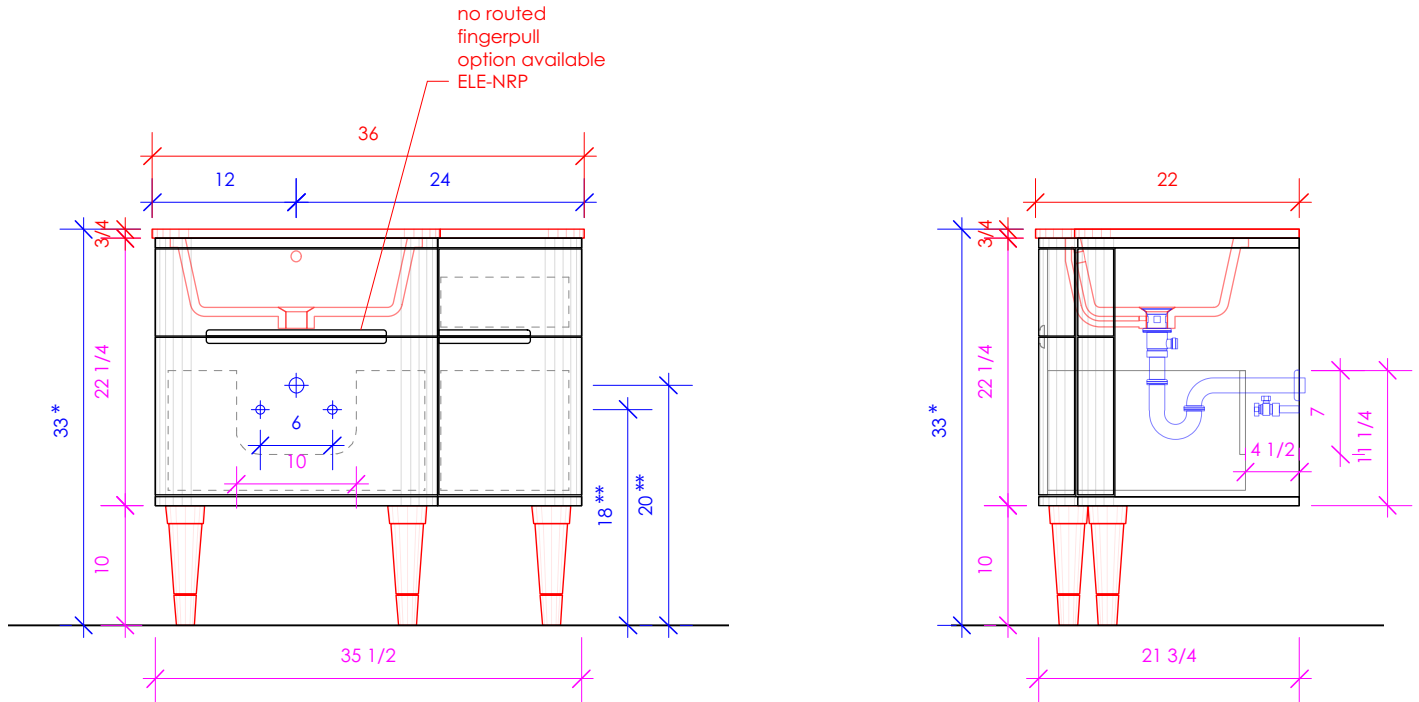


# LACAVA

## ELEGANZA

ELE-W-36L



\* Recommended installation height  
 \*\* Recommended plumbing location

### FEATURES:

- WALL MOUNT VANITY
- ROUNDED CORNERS
- THREE DRAWERS WITH SOFT-CLOSE GLIDES
- DRAWER BOXES STAINED TO REFLECT EXTERIOR FINISH
- ROUTED FINGERPULL OPENINGS
- NO ROUTED FINGERPULL **ELE-NRP** OPTION AVAILABLE
- DECORATIVE HARDWARE **K500** INCLUDED BUT NOT INSTALLED WITH **ELE-NRP** OPTION
- USED WITH **ELE-36LT** COUNTERTOP AND **H270** SINK (SOLD SEPARATELY)
- WOOD LEGS **ELE-LEG** ADD ON AVAILABLE (SOLD SEPARATELY)
- MOUNTING: FRENCH CLEAT (INCLUDED) (SEE FURNITURE MANUAL)
- PROUDLY HANDMADE IN THE USA
- MANUFACTURED WITH LOW VOC FINISHES AND WOOD FROM RENEWABLE FORESTS

### FINISHES:

#### WOOD:

##### STANDARD:

02 - NATURAL CHERRY  
 07 - NATURAL WALNUT  
 24 - CLASSIC WALNUT  
 20 - ASH GRAY  
 06 - WENGE

##### PREMIUM:

31 - WHITE OAK  
 47 - SMOKY WALNUT  
 08 - MATTE WHITE  
 16 - MATTE BLACK  
 35 - MATTE ARDESIA  
 54 - MATTE TAUPE  
 42 - MATTE OLIVE GREEN  
 39 - MATTE SAGE  
 28 - MATTE AZURE  
 29 - MATTE CLOUD

##### LUXURY:

50 - HORIZON BLUE  
 52 - SILVER OAK  
 37 - WEATHERED OAK  
 85 - GLOSS WHITE  
 86 - GLOSS BLACK

46 - DRIFTWOOD  
 \*NEWTERRA ONLY\*

#### METALS:

##### METAL:

21 - BRUSHED STAINLESS STEEL  
 10 - POLISHED STAINLESS STEEL  
 44 - MATTE BLACK  
 MW - MATTE WHITE  
 BPW - BRASS POWDER COAT  
 SA - SIENNA

#### COUNTERTOP: **ELE-36LT**

##### STONE:

WH - BIANCO  
 LN - LINAC  
 AN - ATENA

##### QUARTZ:

PR - PURO  
 AH - ASH  
 CT - CRETA  
 VN - VENA  
 DN - DUNE  
 NR - NERO

##### SOLID SURFACE:

M - SATIN WHITE  
 G - POLISHED WHITE  
 R - MARMO  
 V - LAVA  
 D - OBSIDIAN  
 C - CREMA

##### CONCRETE:

SND - SAND  
 SLT - SLATE  
 SUN - SUN  
 CLY - CLAY  
 LIL - LILAC  
 MOS - MOSS  
 AQA - AQUA  
 BRK - BRICK  
 MAH - MATCHA  
 GAL - GALAXY  
 TER - TERRACOTTA  
 CHL - CHARCOAL  
 FOR - FOREST  
 BST - BASALTO

3/4" THICKNESS    3/4" THICKNESS    1/2" THICKNESS

LACAVA reserves the right to revise any dimension or information on this sheet without notice. Dimensions are nominal and may vary within an industry accepted tolerance of 1/4". Cabinets with 'vanity top' sinks are made to the matching sink and dimensions may vary. LACAVA is not responsible for any cutouts, countertops, or furniture made without the actual product or template. Differences in color, grain, appearance, and texture are inherent in all natural woodwork and should be expected. Variances in these qualities are not deemed manufacturing defects and will not be accepted as valid reasons for return or exchanges. Plumbing specifications are only a guideline and may need alteration based on application.

6630 WEST WRIGHTWOOD  
 CHICAGO, IL 60707

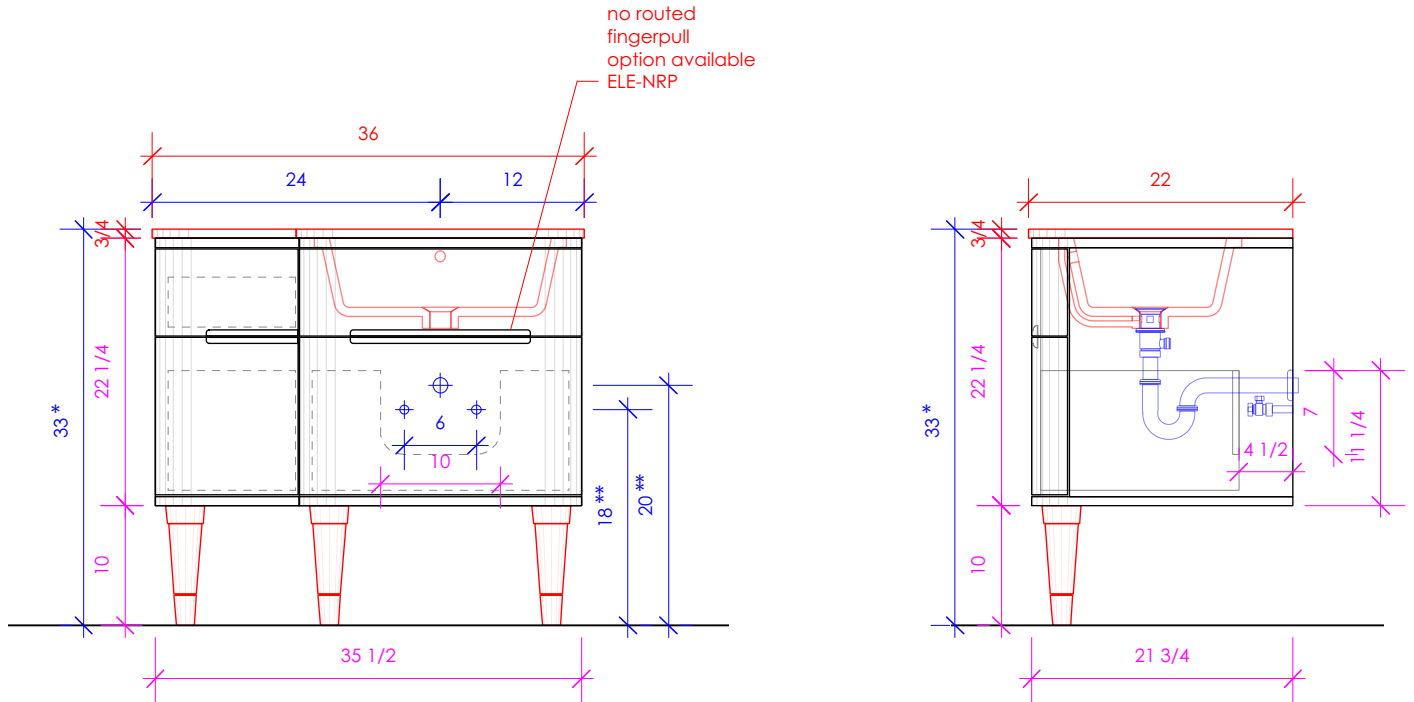
PH: 773-637-9600  
 FAX: 773-637-9601

LACAVA.COM  
 INFO@LACAVA.COM

# LACAVA

## ELEGANZA

ELE-W-36R



\* Recommended installation height  
\*\* Recommended plumbing location

### FEATURES:

- WALL MOUNT VANITY
- ROUNDED CORNERS
- THREE DRAWERS WITH SOFT-CLOSE GLIDES
- DRAWER BOXES STAINED TO REFLECT EXTERIOR FINISH
- ROUTED FINGERPULL OPENINGS
- NO ROUTED FINGERPULL **ELE-NRP** OPTION AVAILABLE
- DECORATIVE HARDWARE **K500** INCLUDED BUT NOT INSTALLED WITH **ELE-NRP** OPTION
- USED WITH **ELE-36RT** COUNTERTOP AND **H270** SINK (SOLD SEPARATELY)
- WOOD LEGS **ELE-LEG** ADD ON AVAILABLE (SOLD SEPARATELY)
- MOUNTING: FRENCH CLEAT (INCLUDED) (SEE FURNITURE MANUAL)
- PROUDLY HANDMADE IN THE USA
- MANUFACTURED WITH LOW VOC FINISHES AND WOOD FROM RENEWABLE FORESTS

### FINISHES:

#### WOOD:

##### STANDARD:

02 - NATURAL CHERRY  
07 - NATURAL WALNUT  
24 - CLASSIC WALNUT  
20 - ASH GRAY  
06 - WENGE

##### PREMIUM:

31 - WHITE OAK  
47 - SMOKY WALNUT  
08 - MATTE WHITE  
16 - MATTE BLACK  
35 - MATTE ARDESIA  
54 - MATTE TAUPE  
42 - MATTE OLIVE GREEN  
39 - MATTE SAGE  
28 - MATTE AZURE  
29 - MATTE CLOUD

##### LUXURY:

50 - HORIZON BLUE  
52 - SILVER OAK  
37 - WEATHERED OAK  
85 - GLOSS WHITE  
86 - GLOSS BLACK

46 - DRIFTWOOD  
NEWTERRA ONLY

#### METALS:

##### METAL:

21 - BRUSHED STAINLESS STEEL  
10 - POLISHED STAINLESS STEEL  
44 - MATTE BLACK  
MW - MATTE WHITE  
BPW - BRASS POWDER COAT  
SA - SIENNA

#### COUNTERTOP: **ELE-36RT**

##### STONE:

WH - BIANCO  
LN - LINAC  
AN - ATENA

##### QUARTZ:

PR - PURO  
AH - ASH  
CT - CRETA  
VN - VENA  
DN - DUNE  
NR - NERO

##### SOLID SURFACE:

M - SATIN WHITE  
G - POLISHED WHITE  
R - MARMO  
V - LAVA  
D - OBSIDIAN  
C - CREMA

##### CONCRETE:

SND - SAND  
SLT - SLATE  
SUN - SUN  
CLY - CLAY  
LIL - LILAC  
MOS - MOSS  
AQA - AQUA  
BRK - BRICK  
MAH - MATCHA  
GAL - GALAXY  
TER - TERRACOTTA  
CHL - CHARCOAL  
FOR - FOREST  
BST - BASALTO

3/4" THICKNESS    3/4" THICKNESS    1/2" THICKNESS

LACAVA reserves the right to revise any dimension or information on this sheet without notice. Dimensions are nominal and may vary within an industry accepted tolerance of 1/4". Cabinets with 'vanity top' sinks are made to the matching sink and dimensions may vary. LACAVA is not responsible for any cutouts, countertops, or furniture made without the actual product or template. Differences in color, grain, appearance, and texture are inherent in all natural woodwork and should be expected. Variances in these qualities are not deemed manufacturing defects and will not be accepted as valid reasons for return or exchanges. Plumbing specifications are only a guideline and may need alteration based on application.

6630 WEST WRIGHTWOOD  
CHICAGO, IL 60707

PH: 773-637-9600  
FAX: 773-637-9601

LACAVA.COM  
INFO@LACAVA.COM