

INSIDE

DOOR  
EDGE

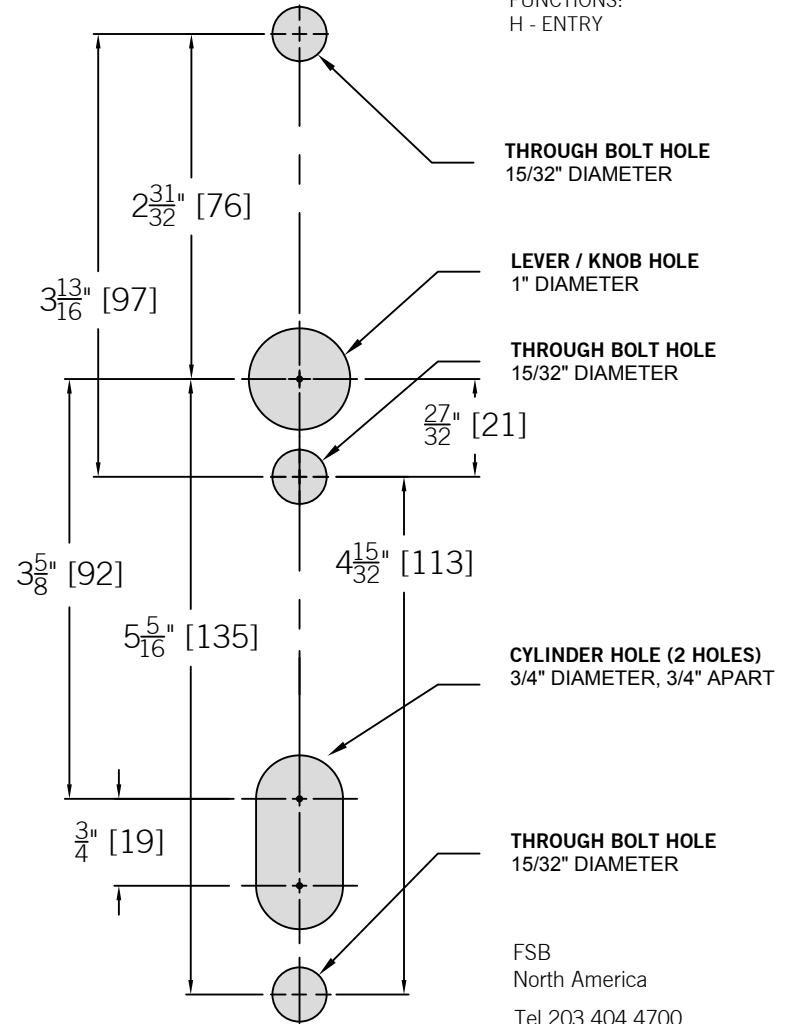
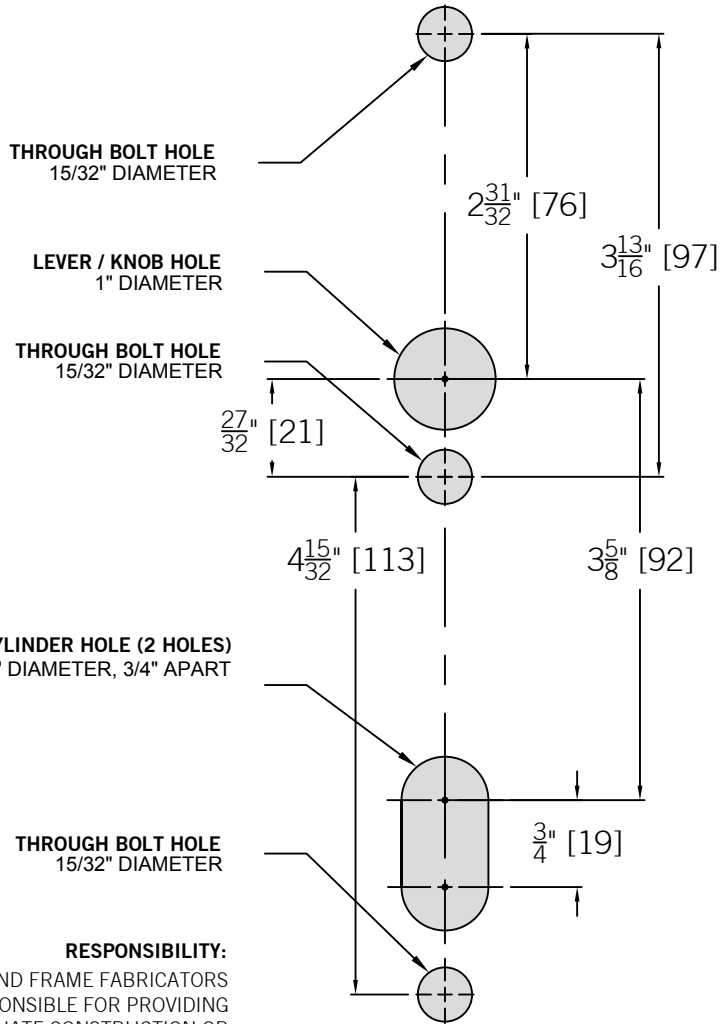
OUTSIDE

DOOR TEMPLATE

SERIES EML - EUROPEAN MULTIPOINT

TRIM SET - EC, ED

FUNCTIONS:  
H - ENTRY



**RESPONSIBILITY:**  
DOOR AND FRAME FABRICATORS  
ARE RESPONSIBLE FOR PROVIDING  
ADEQUATE CONSTRUCTION OR  
REINFORCEMENTS FOR PROPER  
INSTALLATION OF HARDWARE

FSB  
North America  
Tel 203 404 4700  
Fax 203 404 4710  
www.fsbna.com  
info@fsbna.com