

INSIDE

DOOR
EDGE

OUTSIDE

DOOR
EDGE

DOOR
EDGE

DOOR TEMPLATE

SERIES EML EMP

TRIMSET - EC, ED

FUNCTIONS:
T - PATIO

THROUGH BOLT HOLE
15/32" DIAMETER

LEVER / KNOB HOLE
7/8" DIAMETER

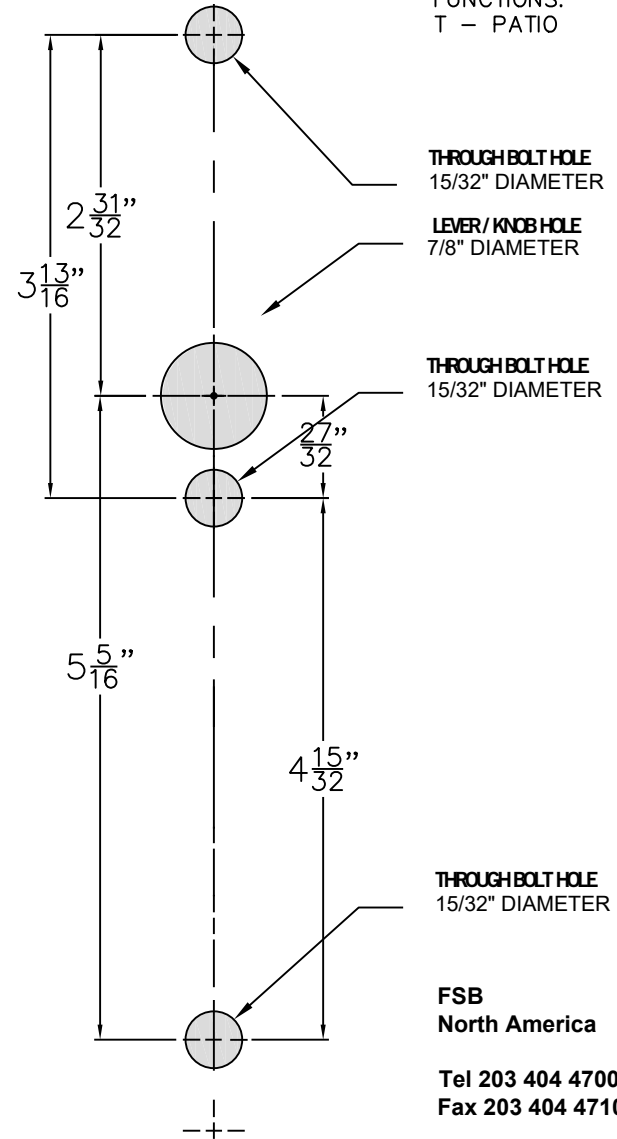
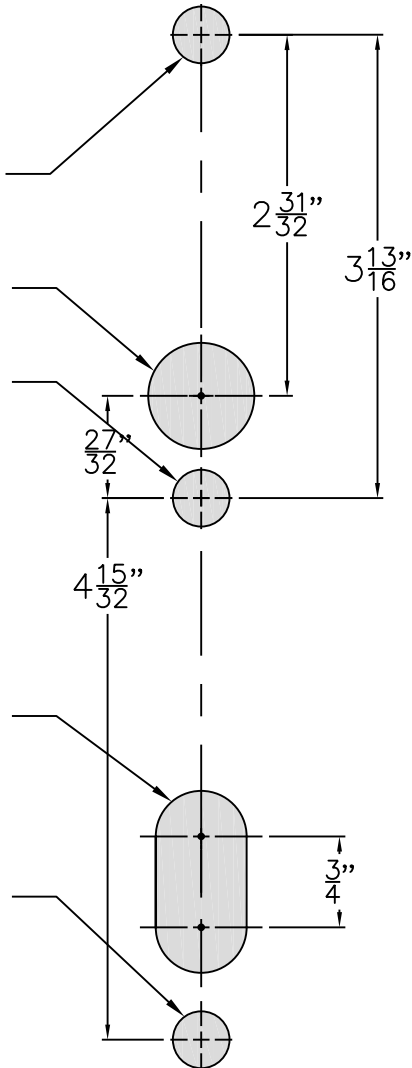
THROUGH BOLT HOLE
15/32" DIAMETER

CYLINDER HOLE (2 HOLES)
3/4" DIAMETER, 3/4" APART

THROUGH BOLT HOLE
15/32" DIAMETER

RESPONSIBILITY:

DOOR AND FRAME FABRICATORS
ARE RESPONSIBLE FOR PROVIDING
ADEQUATE CONSTRUCTION OR
REINFORCEMENTS FOR PROPER
INSTALLATION OF HARDWARE



THROUGH BOLT HOLE
15/32" DIAMETER

LEVER / KNOB HOLE
7/8" DIAMETER

THROUGH BOLT HOLE
15/32" DIAMETER

THROUGH BOLT HOLE
15/32" DIAMETER

FSB
North America

Tel 203 404 4700
Fax 203 404 4710

www.fsbna.com
info@fsbna.com

DWG NO.: EMP-T-ED.DWG
REVISION: 09/17/2018