

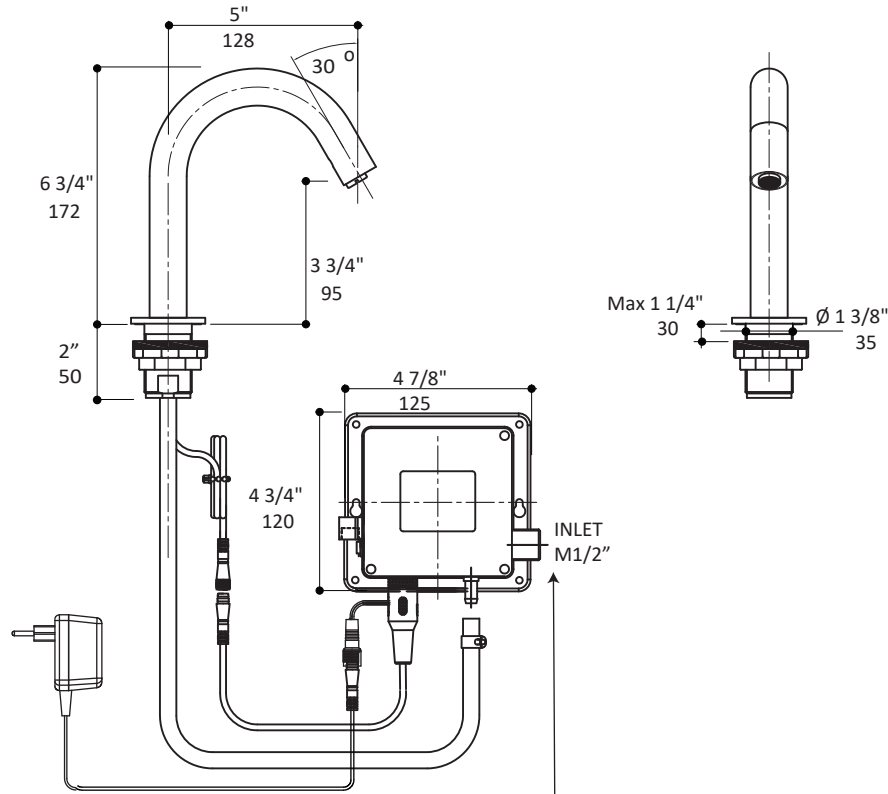
Specifications:

Installation:	deck- mount 1-hole, touch-free
Exterior Dimensions:	H: 6 3/4" SPOUT: 5"
Material:	solid brass construction
Water use:	1 GPM (EX11), 0.5 GPM (EX11.5), 0.35 GPM (EX11.35)
Power supply:	AC/DC
Finishes:	CR - polished chrome PN - polished nickel 21 - brushed stainless steel NI - brushed nickel BG - brushed gold 44 - matte black TN - titanium MW - matte white (made to order)
Cutout Size:	Ø 1 3/8"
Accessories included:	power adapter, flexible supply line F 1/2" and battery box



Features:

- Power supply options:
 - AC - transformer with a plug to electricity and/or
 - DC - battery pack for 4 x AA alkaline batteries (batteries not included)
 - on average lasts for 108,000 use cycles
- For cold or premixed water (mixer sold separately)
- 10 seconds metering cycles or adjustable metering cycles
- Adjustable metering cycles: 10 seconds, 20 seconds (default), 30 seconds, 60 seconds (when equipped with this feature)
- Engineered with hygienic flush feature to run automatically after unit has not been used for a 24hr period to prevent the growth of bacteria
- Sensor life expectancy: 500,000 cycles
- Minimum distance sensor and surface 4"
- Water pressure: 15-90 PSI, recommended 43.5 PSI
- Water temperature: 34-120° Fahrenheit (1-50° Celsius)
- No reflective surfaces (mirrors, polished metal finishes, etc.) to be placed in the range of the sensor
- **Touch- free safety from spreading undesirable pathogens**
- **Commercial grade automated fixture**
- **Low flow promotes water use savings**



**IMPORTANT: Install provided
flow reducer on the water inlet**

Codes + Standards:

- Meets and exceeds applicable national codes and standards
- **1 GPM Watersense certified (EX11)**
- **0.5 GPM CAL-Green compliant (EX11.5)**
- **0.35 GPM LEED Credit (EX11.35)**



ADA compliant when installed to specific requirements of this regulation

Recommended Items:

- Replacement parts:
 - #4BATPK - replacement battery pack
 - #EX11-SENR replacement sensor
 - #EX11-SENR-U replacement sensor for universal box
 - #EX-CBX-U replacement universal box (equipped with adjustable metering cycles)
- Mixing valves (sold separately)
 - #EX20A - mechanical mixing valve
 - #EX25A - integrated thermostatic valve
- American size grid drains
 - #7100-18 - without overflow holes
 - #7100-18OF - with overflow holes

LACAVA reserves the right to revise any dimension or information on this sheet without notice. Dimensions are nominal and may vary within an industry accepted tolerance of 1/4". Drawings provided herein are meant to give the user an idea of the product and are not made to scale. Location of plumbing is meant for reference, your specific application may vary.

Revised: 5/28/2025