

LACAVA

ZOOM deck-mount electronic faucet EX16/EX16.5/EX16.35

Specifications:

Installation:	deck-mount 1-hole, touch-free
Exterior Dimensions:	H: 5" SPOUT: 4 1/4"
Material:	solid brass construction
Water use:	1 GPM (EX16), 0.5 GPM (EX16.5), 0.35 GPM (EX16.35)
Power supply:	AC/DC
Finishes:	CR - polished chrome PN - polished nickel NI - brushed nickel BG - brushed gold 44 - matte black TN - titanium
Cutout Size:	Ø 1 3/8"
Accessories included:	power adapter, flexible supply line F 1/2" and battery box



Features:

- Power supply options:
 - AC - transformer with a plug to electricity and/or
 - DC - battery pack for 4 x AA alkaline batteries (batteries not included)
 - on average lasts for 108,000 use cycles
- For cold or premixed water (mixer sold separately)
- 10 seconds metering cycles
- Minimum distance between sensor and surface 4"
- Sensor life expectancy: 500,000 cycles
- Water pressure: 15-90 PSI, recommended 43.5 PSI
- Water temperature: 34-120° Fahrenheit (1-50° Celsius)
- No reflective surfaces (mirrors, polished metal finishes, etc) to be placed in the range of the sensor

- touch-free safety from spreading undesirable pathogens
- commercial grade automated fixture
- low flow promotes water use savings

Codes + Standards:

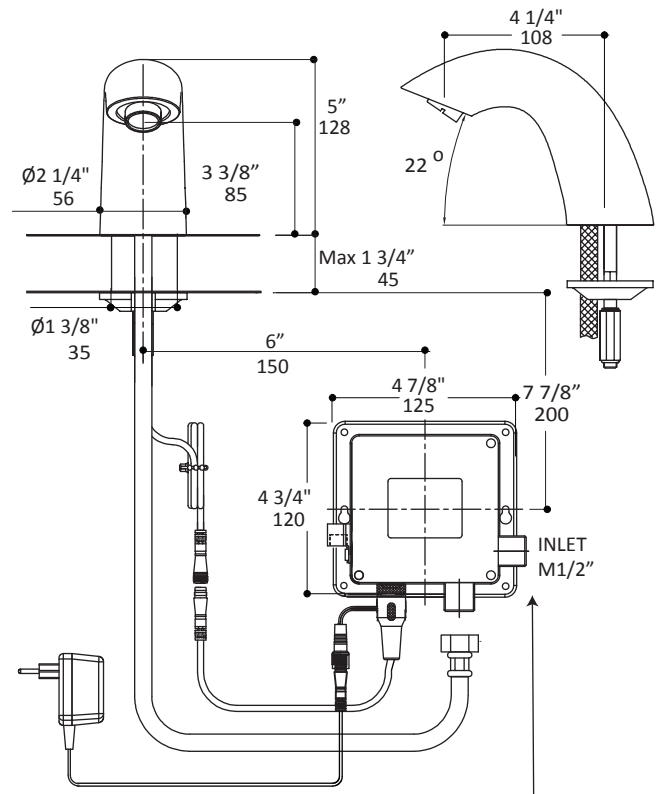
- ASME A112.18.1/CSA B125.1
- NSF/ANSI/CAN61
- NSF/ANSI/CAN372
- Compliant with California AB-100
- 1 GPM Watersense certified (EX16)
- 0.5 GPM CAL-Green compliant (EX16.5)
- 0.35 GPM LEED Credit (EX16.35)

ADA compliant when installed to specific requirements of this regulation



Recommended Items:

- Replacement parts:
 - #4ABATPK - replacement battery pack
 - #EX16-SENR replacement sensor
- Mixing valves (sold separately)
 - #EX20A - mechanical mixing valve
 - #EX25A - integrated thermostatic valve
- American size grid drains
 - #7100-18 - without overflow holes
 - #7100-18OF - with overflow holes



IMPORTANT: Install provided flow reducer on the water inlet

LACAVA reserves the right to revise any dimension or information on this sheet without notice. Dimensions are nominal and may vary within an industry accepted tolerance of 1/4". Drawings provided herein are meant to give the user an idea of the product and are not made to scale. Location of plumbing is meant for reference, your specific application may vary.

Revised: 11/08/2024