

Features:
G0025878

- Vitreous China
- 1.28 gpf High Efficiency or 1.6 gpf Low Consumption
- ADA compliant
- Back Outlet Elongated Spud Bowl
- Siphon Jet
- Spud G0099255 1-1/2" X 1-1/2" for Flushometer Valve Included
- Top Spud
- Flushometer Valve not Included
- Toilet seat not Included



Technical Information:

Configuration	Back Outlet ErgoHeight™ Elongated Top Spud Bowl
Water per Flush	1.28/1.6 gpf (4.8/6.0 Lpf)
Rough-In	4 1/4" Vertical
Height	16 7/16"
Width	14 9/16"
Depth	30 1/8"
Trapway	2"
Large Water Surface	8 11/16" x 6 5/16"
Shipping weight Bowl	58 lbs

Accessories: (To be purchased separately)

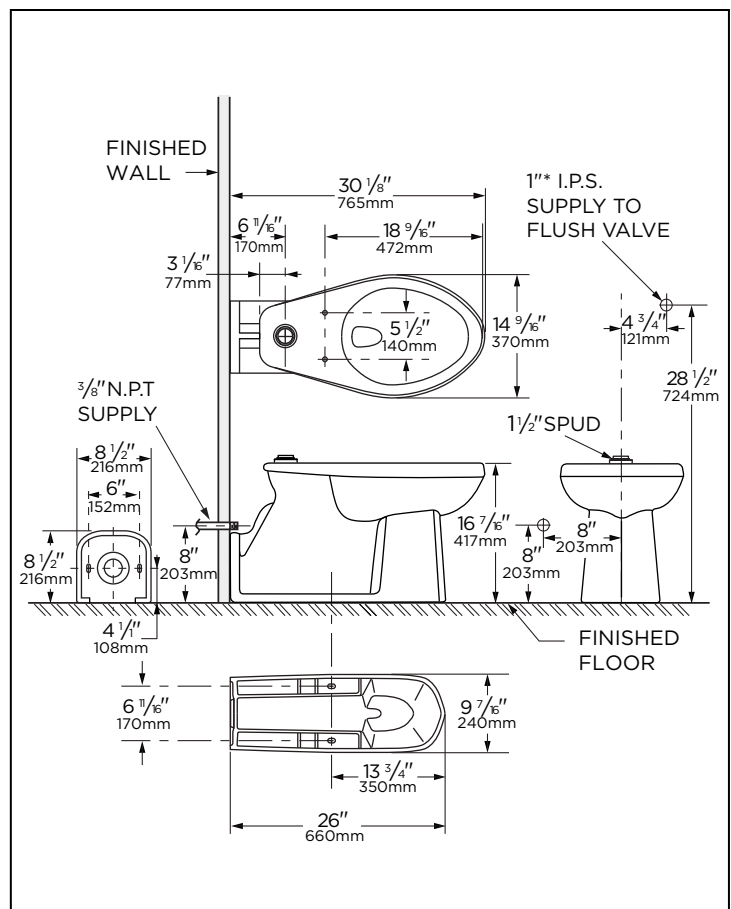
N/A

Available Colors:

- White
- Other: Refer to Price Book for additional colors/finishes

Warranty:

- Limited Lifetime on Vitreous China, refer to the website for more details.



NOTES: All dimensions are in inches and millimeter. Illustrations may not be drawn to scale.

*This measurement may vary. Use flush valve manufacturer's recommended rough-in.

RECOMMENDED STATIC WATER PRESSURE FOR PLUMBING FIXTURES IS 20 - 80 PSI STATIC PER ANSI STANDARDS A112.19.2M APPENDIX B.

IMPORTANT:

Dimensions of fixtures are nominal and may vary within the range of tolerances established by ASME standard A 112.19.2

THIS FIXTURE QUALIFIES ACCORDING TO ASME TEST PROCEDURES AS EITHER A LOW CONSUMPTION WATER CLOSET WITH AN AVERAGE CONSUMPTION OF 1.6 gpf (6.0 Lpf Lpf) OR LESS, OR AS A HIGH EFFICIENCY WATER CLOSET WITH AN AVERAGE CONSUMPTION OF 1.28 gpf (4.8 Lpf) OR LESS. WATER CLOSET CONSUMPTION IS DETERMINED BY THE FLUSHOMETER