

## Specifications:

<b>Installation:</b>	Direct vanity top
<b>Exterior Dimensions:</b>	60" w x 21" d x 7" h
<b>Interior Dimensions:</b>	19" w x 13" d x 47/8" h (perbowl)
<b>Depth To Overflow:</b>	3"
<b>Drain Hole Diameter:</b>	1 7/8"
<b>Faucet Holes:</b>	00 - No holes 01 - 1 centered hole 02 - 2 hole, 4" spread, center + right 03 - 3 hole, 8" spread
<b>Cutout Size:</b>	21 1/2" w X 18" d per bowl (template available upon request)
<b>Material:</b>	Solid surface
<b>Overflow:</b>	Yes
<b>Finishes:</b>	M - Matte white G - Gloss white
<b>Weight:</b>	88 lbs



## Features:

- Vanity-top installation, replaces countertop (vanity base should account for overhang)
- Full solid surface construction with overflow
- Decorative drain cover included see technical documents for detail dimensions
- Cut-out template available upon request

## Codes + Standards

Meets and exceeds applicable national codes and standards

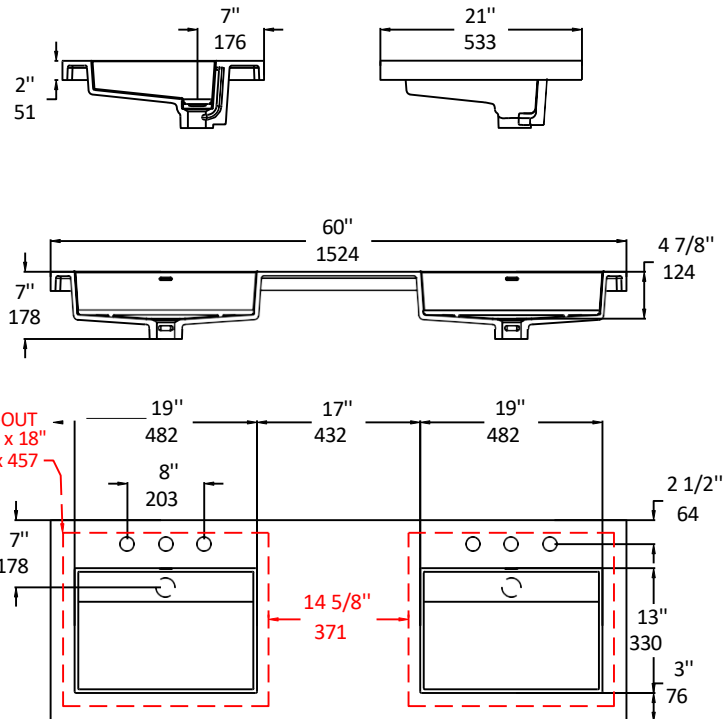
## Recommended products:

- KUB-E-60 - wall mount vanity with options
- BKS - 6" backsplash in matching finish(es)
- 7100-I 80F - American grid drain with overflow

## Care and maintenance:

To prevent damage to solid surface products keep hot objects and open flames (including curling irons and candles) away.

[Click here](#) for more info and care instructions.



LACAVA reserves the right to revise any dimension or information on this sheet without notice. Dimensions are nominal and may vary within an industry accepted tolerance of 1/4". Drawings provided herein are meant to give the user an idea of the product and are not made to scale.

Revised: 1/27/26