

Low Back Guard, Gas and Dual Fuel HGZBS301



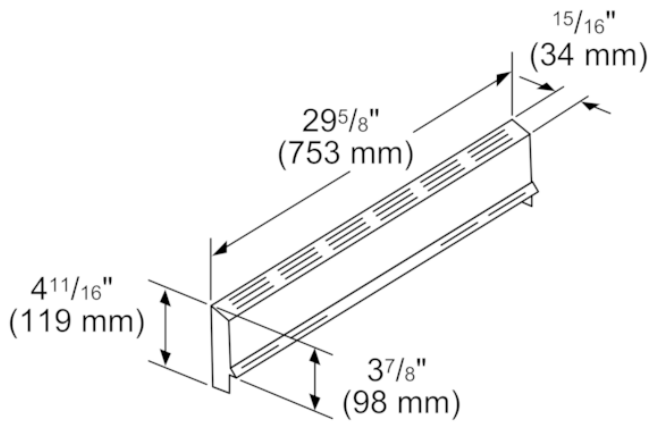
Features and Benefits

Notes: All height, width and depth dimensions are shown in inches. *Please refer to installation instructions prior to making cutout. BSH reserves the absolute and unrestricted right to change product materials and specifications, at any time, without notice. Consult the product's installation instructions for final dimensional data and other details. Applicable product warranty can be found in a accompanying product literature or you may contact your account manager for further details.

For more information on our entire line of products, go to boschappliances.com or call 1-800-944-2904.
Copyright ©2021 BSH Home Appliances Corporation. All rights reserved. Bosch is a registered trademark of Robert Bosch GmbH.

Litho Date: 01/2021

Low Back Guard, Gas and Dual Fuel HGZBS301



measurements in inches

Features

| Accessories | |
|-------------------------------------------|-------------------------------|
| Brand | Bosch |
| Product name / series name | |
| SKU | HGZBS301 |
| Internal article number | 00000000011007518 |
| EAN code | 4242002790800 |
| Product packaging dimensions (HxWxD) (in) | |
| | 4 |
| | 4 |
| Quantity per packing unit | |
| Standard number of units per pallet | |
| UPC code | 825225908951 |
| Product image | MCSA00675302_HGZBS301_def.jpg |

Technical Specification

Notes: All height, width and depth dimensions are shown in inches. *Please refer to installation instructions prior to making cutout. BSH reserves the absolute and unrestricted right to change product materials and specifications, at any time, without notice. Consult the product's installation instructions for final dimensional data and other details. Applicable product warranty can be found in a accompanying product literature or you may contact your account manager for further details.

For more information on our entire line of products, go to boschappliances.com or call 1-800-944-2904.
Copyright ©2021 BSH Home Appliances Corporation. All rights reserved. Bosch is a registered trademark of Robert Bosch GmbH.

Litho Date: 01/2021