

Touchless lavatory faucet with Kinesis® sensor technology, Tube design, DC-powered, 0.5 gpm  
**K-104MT86-SANA**

### Features

- Kinesis® technology with concealed sensor allows for a clean aesthetic and provides extraordinarily accurate and reliable actuation in varying installation environments
- Below-counter valving reduces the faucet footprint and provides easier service
- Design-forward aesthetic for commercial bathroom spaces
- 0.5 gpm (1.9 lpm) maximum flow rate with vandal-resistant outlet
- AA battery-powered; up to four-year battery life (approx. 105,000 cycles)
- On-demand usage with 30-second max. continual run cycle to prevent vandalism and save water
- 18" (457 mm) stainless steel braided flexible supply hose for easy installation
- Box includes spout assembly, grid drain, control box assembly, four AA batteries, supply hose, and standard mounting hardware
- Concealed mechanical mixer sold separately

### Material

- Brass spout

### Installation

- Deck-mount

### Optional Products/Accessories

- K-99799 Thermostatic Tempering Valve
- K-13478-A 4" escutcheon plate for Insight™ and Kinesis® faucet
- K-13478-B 4" escutcheon plate for Insight™ and Kinesis® faucet
- K-13479-A 8" escutcheon plate for Insight™ and Kinesis® faucet
- K-13479-B 8" escutcheon plate for Insight™ and Kinesis® faucet

### Included Components

- K-7129-A Bathroom sink grid drain with overflow



**ADA** **CSA B651** **OBC**

### Codes/Standards

ASME A112.18.1/CSA B125.1  
NSF/ANSI/CAN 61  
NSF/ANSI/CAN 372  
DOE - Energy Policy Act 1992  
California Energy Commission (CEC)  
ADA  
ICC/ANSI A117.1  
CSA B651  
OBC

### KOHLER® One-Year Limited Warranty

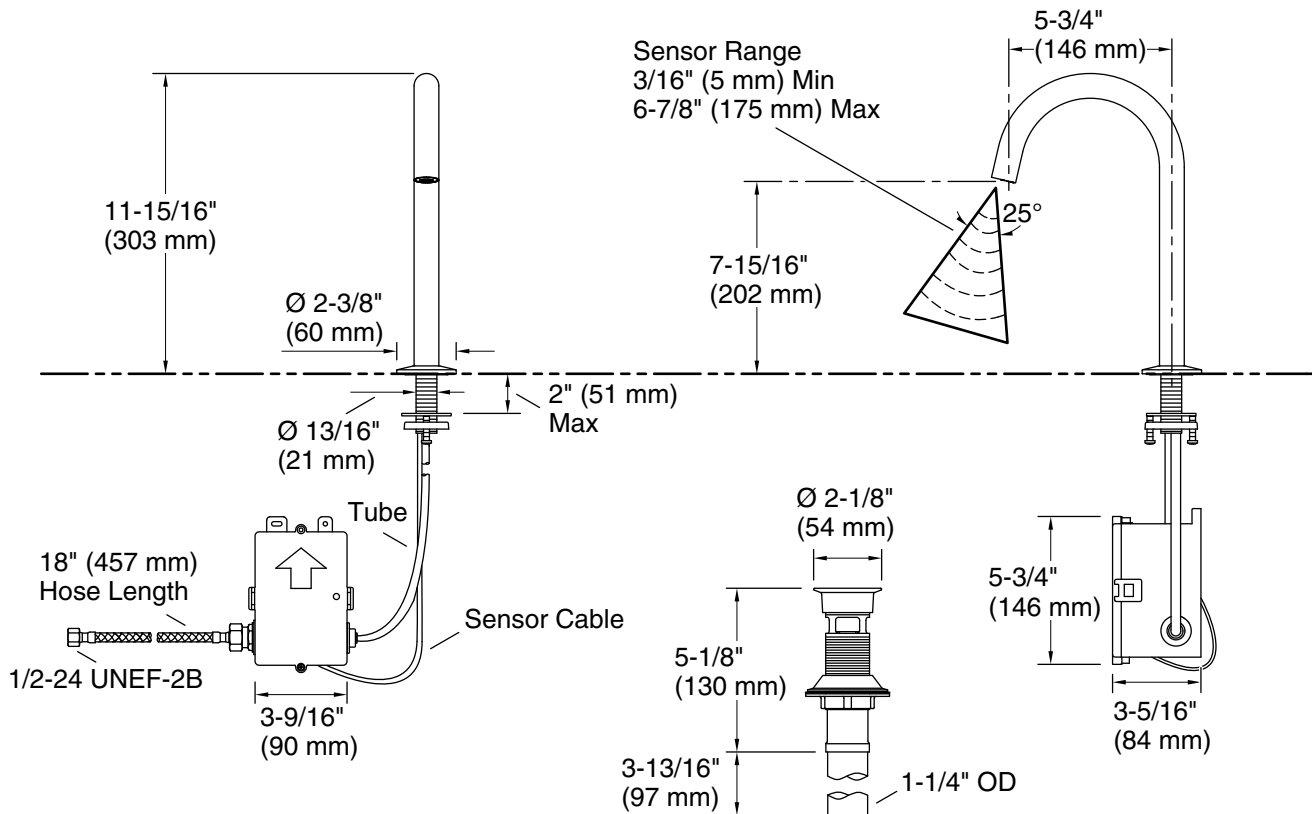
See website for detailed warranty information.

### Available Colors/Finishes

*Color tiles intended for reference only.*

Color	Code	Description
	CP	Polished Chrome

Touchless lavatory faucet with Kinesis® sensor technology, Tube design, DC-powered, 0.5 gpm  
**K-104MT86-SANA**



### Technical Information

All product dimensions are nominal.

Power source:	Battery - DC, included
Faucet flow rate:	0.5 gal/min (1.9 l/min)
Drain included:	Yes
Drain with overflow:	Yes
Drain tailpiece included:	Yes

### Spout:

Spout reach:	5-3/4" (146 mm)
--------------	-----------------

### Pressure/fixture Supply Requirements

Fixture pressure max (static):	125 psi (861.8 kPa)
Fixture pressure min (static):	20 psi (137.9 kPa)

### Notes

Install this product according to the installation instructions.

ADA, OBC, CSA B651 compliant when installed to the specific requirements of these regulations.