

Features

- Kinesis® technology with concealed sensor allows for a clean aesthetic and provides extraordinarily accurate and reliable actuation in varying installation environments
- Below-counter valving reduces the faucet footprint and provides easier service
- Design-forward aesthetic for commercial bathroom spaces
- 0.5 gpm (1.9 lpm) maximum flow rate
- Powered by Kohler's Hybrid Energy System (HES), which provides maintenance-free power for up to 30 years (approx. 875,000 cycles)
- On-demand usage with 30-second max. continual run cycle to prevent vandalism and save water
- Vandal-resistant laminar outlet
- 18" (457 mm) stainless steel braided flexible supply hose for easy installation
- Grid drain
- Includes concealed mechanical mixer
- Complies with the Safe Drinking Water Act (SDWA)

Material

- Brass spout
- Cast brass valve

Technology

- Kinesis® sensor technology offers on-demand detection for maximum water savings

Installation

- Single-hole mounting
- Includes spout assembly, grid drain, control box assembly, supply hose, mixer and standard mounting hardware
- Includes one hybrid cell

Recommended Products/Accessories

K-23726 Drain treatment

Optional Products/Accessories

K-13478-A 4" escutcheon plate for Insight™ and Kinesis® faucet

K-13478-B 4" escutcheon plate for Insight™ and Kinesis® faucet

K-13479-A 8" escutcheon plate for Insight™ and Kinesis® faucet

K-13479-B 8" escutcheon plate for Insight™ and Kinesis® faucet

Included Components

K-24154 Mechanical mixing valve

K-7129-A Bathroom sink grid drain with overflow



ADA **CSA B651** **OBC**

Codes/Standards

ASME A112.18.1/CSA B125.1
NSF/ANSI/CAN 61
NSF/ANSI/CAN 372
DOE - Energy Policy Act 1992
California Energy Commission (CEC)
ADA
ICC/ANSI A117.1
CSA B651
OBC

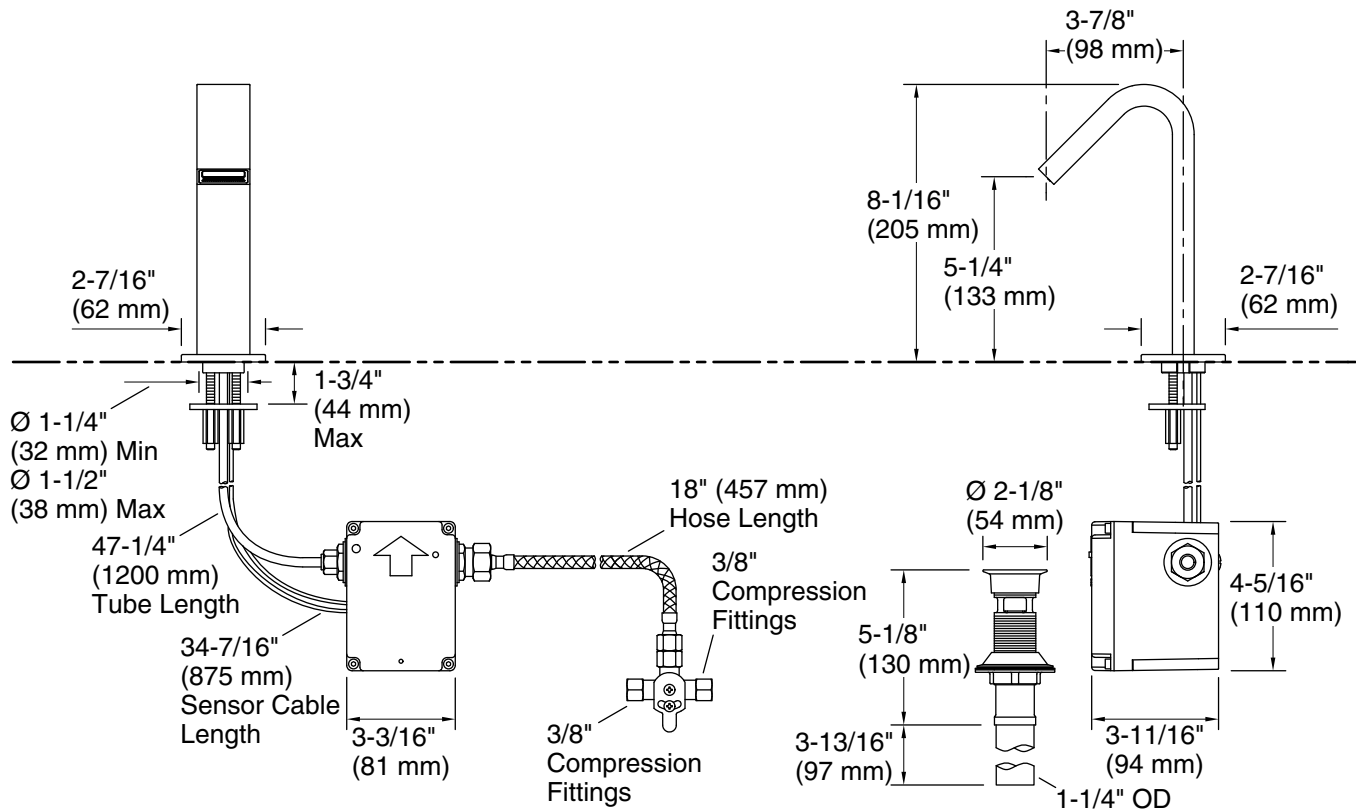
KOHLER® One-Year Limited Warranty

See website for detailed warranty information.

Available Colors/Finishes

Color tiles intended for reference only.

| Color | Code | Description |
|---|------|-----------------|
|  | CP | Polished Chrome |



Technical Information

All product dimensions are nominal.

| | |
|---------------------------|------------------------------|
| Power source: | Hybrid Energy Cell, included |
| Faucet flow rate: | 0.5 gal/min (1.9 l/min) |
| Drain included: | Yes |
| Drain tailpiece included: | Yes |
| Spout: | |
| Spout reach: | 3-7/8" (99 mm) |

Notes

Install this product according to the installation instructions.

A 1-1/4" (32 mm) minimum to 1-1/2" (38 mm) maximum diameter mounting hole is required.

The minimum distance between the back of the faucet spout and the wall must be 1-3/4" (44 mm). This will allow proper clearance for setscrew access.

The maximum distance between the bathroom sink basin edge to the base of the faucet spout must be 1-3/4" (44 mm).

ADA, OBC, CSA B651 compliant when installed to the specific requirements of these regulations.