

Features

- 0.125 gpf (0.47 lpf)
- Activation distance is factory-set
- Chloramine and chlorine resistance on all rubber components exposed to waterway
- Engineered for optimal performance with KOHLER® commercial fixtures
- 125-micron filter protects internal components
- High back pressure vacuum breaker
- Locking stop cap provides protection against vandalism
- No external flush volume adjustment ensures water conservation
- 24-hour automatic sentinel flush keeps trapway fresh
- Mechanical override enables flushometer to be used manually even during a power outage
- Powered by 1.5V AA lithium batteries
- Patented piston technology for superior flush volume accuracy

Material

- Brass construction with durable Polished Chrome finish

Technology

- Electronic infrared sensor with Tripoint® technology for accurate activation

Installation

- Intended for urinal installations with 3/4" (19 mm) top spud coupling connection

Recommended Products/Accessories

1421939 Flushometer Arm Extension Kit
1509698 Pressure Gauge Kit, 1/8"



ADA	CSA B651	OBC
-----	----------	-----

Codes/Standards

ASME A112.18.1/CSA B125.1
ASSE 1037/ASME A112.1037/CSA B125.37
EPA WaterSense®
ADA
ICC/ANSI A117.1
CSA B651
OBC
NOM Standards
NOM 002-CONAGUA

KOHLER® One-Year Limited Warranty

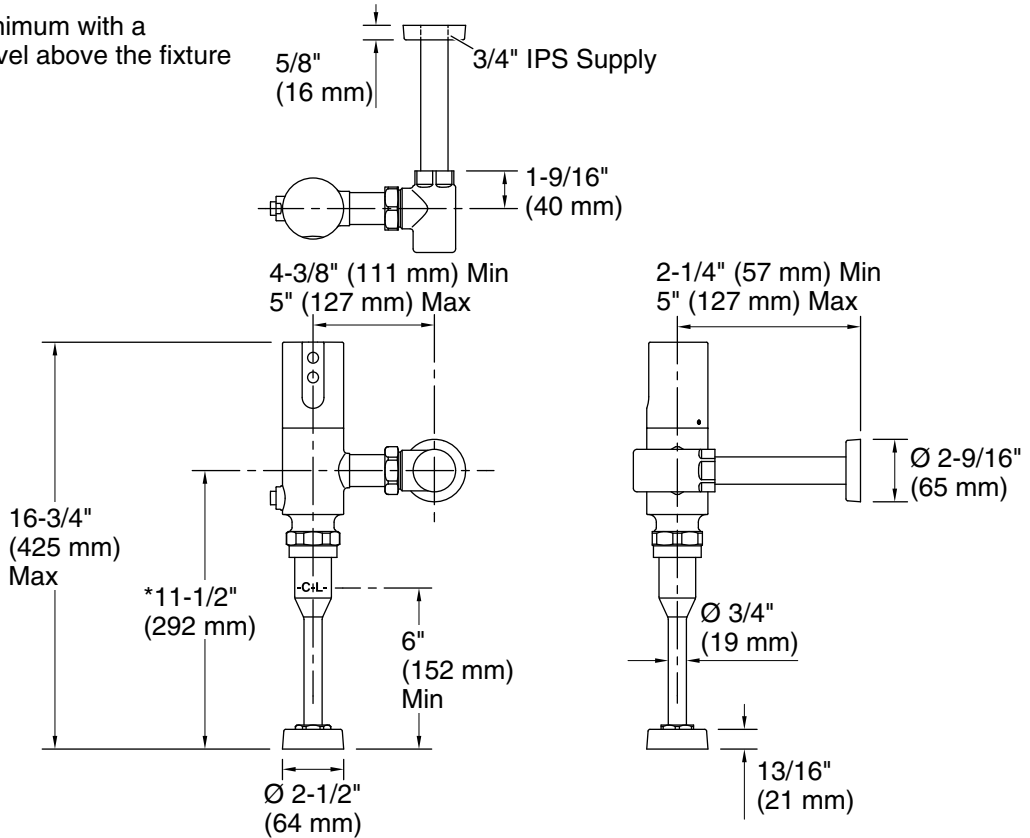
See website for detailed warranty information.

Available Colors/Finishes

Color tiles intended for reference only.

Color	Code	Description
	CP	Polished Chrome
	BN	Vibrant® Brushed Nickel
	BL	Matte Black
	2MB	Vibrant® Brushed Moderne Brass

*10-3/4" (273 mm) minimum with a
6" (152 mm) critical level above the fixture



Technical Information

All product dimensions are nominal.

Spout:

Pressure/fixture Supply Requirements

Fixture pressure	80 psi (551.6 kPa)
max (static):	
Fixture pressure min	25 psi (172.4 kPa)
(static):	
Min flowing	25 psi (172.4 kPa)
pressure:	
Min flow rate:	25 gpm (94.6 lpm)

Notes

Install this product according to the installation instructions.

This product should be used with a WaterSense labeled counterpart with the same rated flush volume to ensure the complete system meets the requirements of this specification for water efficiency and performance.

ADA, OBC, CSA B651 compliant when installed to the specific requirements of these regulations.