



Underscore®

60" x 30" drop-in/alcove heated whirlpool bath, right drain
K-1167-JRH

Features

- Eight Proflex® hydromassage jets can be individually adjusted for water flow and direction
- Single-speed whirlpool offers performance and value with 8 fully adjustable jets
- Built-in heater
- Slotted overflow allows for deep soaking
- Integral lumbar support
- Textured bottom surface

Material

- Acrylic

Installation

- Alcove
- Integral flange
- Right drain

Required Products/Accessories

K-7271 Brass Slotted Overflow Bath Drain

or

K-7272 PVC Slotted Overflow Bath Drain

Recommended Products/Accessories

- K-1491 Bath/Whirlpool Pillow
- K-1601 Bath/whirlpool footstop, removable
- K-706000-D3 Frameless Sliding Bath Door
- K-706000-L 62" H sliding bath door with 1/4"-thick glass
- K-706004-D3 Frameless Sliding Bath Door
- K-706004-L Frameless Sliding Bath Door



ADA

Codes/Standards

- ASME A112.19.7/CSA B45.10
- CSA B45.5/IAPMO Z124
- ASTM E162
- ASTM E662
- UL 1795
- CSA C22.2 No. 218.2
- ADA
- ICC/ANSI A117.1
- cUL Listed
- UL Listed

KOHLER® Plastic Baths and Shower Bases Lifetime Limited Warranty
KOHLER® Hydrotherapy Components Five-Year Limited Warranty

See website for detailed warranty information.

Available Colors/Finishes

Color tiles intended for reference only.

Color	Code	Description
	0	White
	96	Biscuit
	NY	Dune
	95	Ice™ Grey
	58	Thunder™ Grey
	7	Black Black™

1-800-4KOHLER (1-800-456-4537)

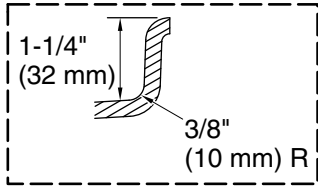
Kohler Co. reserves the right to make revisions without notice to product specifications.

For the most current Specification Sheet, go to www.kohler.com USA or www.kohler.ca Canada

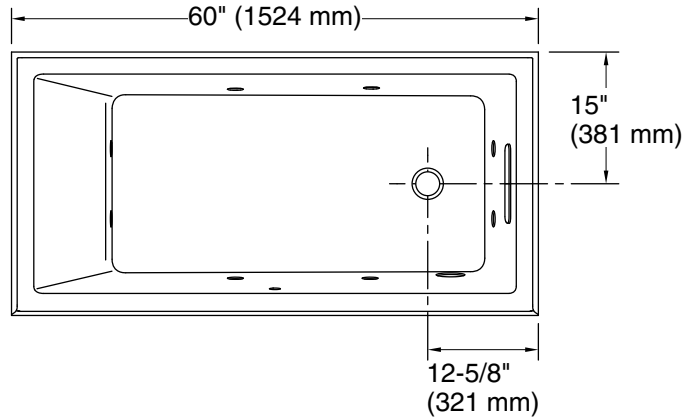
9-15-2025 20:20 - US/CA



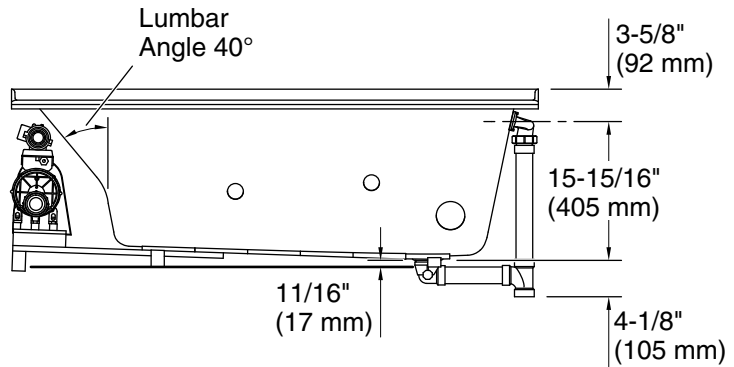
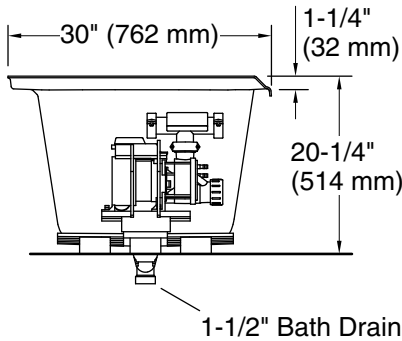
No change in measurements if connected with drain illustrated. (K-7271)



Integral Flange Detail



Blower Motor Access
 20" (508 mm) W x 15" (381 mm) H Min



Required Electrical Service

Two dedicated circuits required, protected with Class A Ground-Fault Circuit-Interrupter (GFCI). Outside North America, this device may be known as a Residual Current Device (RCD).

Pump: 120 V, 15 A, 60 Hz
 Heater: 120 V, 15 A, 60 Hz

Technical Information

All product dimensions are nominal.

Drain location: Right
 Basin area, bottom: 42-7/16" x 20" (1078 mm x 508 mm)
 Basin area, top: 54-5/16" x 24-1/4" (1380 mm x 617 mm)
 Weight: 120 lbs (54.4 kg)
 Minimum floor load: 46 lbs/ft² (224.6 kg/m²)
 Water depth: 14-3/4" (374 mm)
 Water capacity: 59.8 gal (226.4 L)
 Cutout: Drop-in, 59-1/2" x 28-1/2" (1511 mm x 724 mm)
 Electrical component rating: Pump: 120 V, 7 A, 60 Hz
 Heater: 120 V, 12 A, 60 Hz

Minimum flat for 2" (51 mm)
 1-800-4KOHLER (1-800-456-4537)

Kohler Co. reserves the right to make revisions without notice to product specifications.
 For the most current Specification Sheet, go to www.kohler.com USA or www.kohler.ca Canada
 9-15-2025 20:20 - US/CA

Notes

Measure your actual product for rough-in details.
 Install this product according to the installation instructions.
 The hot water supply should be 70% of the capacity of the bath or greater. Installations will vary.
 ADA compliant when installed to the specific requirements of these regulations.