

# KOHLER® Faucets

Touchless faucet w/Kinesis® sensor, Hybrid-powered  
**Loure®**  
**K-126L36-SANL**

## Features

- Kinesis® technology with concealed sensor allows for a clean aesthetic and provides extraordinarily accurate and reliable actuation in varying installation environments
- Below-counter valving reduces the faucet footprint and provides easier service
- Design-forward aesthetic for commercial bathroom spaces
- 0.5 gpm (1.9 lpm) maximum flow rate
- Powered by Kohler's Hybrid Energy System (HES), which provides maintenance-free power for up to 30 years (approx. 875,000 cycles)
- On-demand usage with 30-second max. continual run cycle to prevent vandalism and save water
- Vandal-resistant laminar outlet
- 18" (457 mm) stainless steel braided flexible supply hose for easy installation
- Grid drain
- Concealed mechanical mixer sold separately
- Complies with the Safe Drinking Water Act (SDWA)
- Box includes spout assembly, grid drain, control box assembly, supply hose, and standard mounting hardware

## Material

- Brass spout
- Cast brass valve

## Technology

- Kinesis® sensor technology offers on-demand detection for maximum water savings

## Installation

- Wall-mount
- Includes one hybrid cell

## Recommended Products/Accessories

K-23726 Drain treatment

## Included Components

K-7129-A Bathroom sink grid drain with overflow



**ADA** **CSA B651** **OBC**

## Codes/Standards



ASME A112.18.1/CSA B125.1  
NSF/ANSI/CAN 61  
NSF/ANSI/CAN 372  
DOE - Energy Policy Act 1992  
California Energy Commission (CEC)  
ADA  
ICC/ANSI A117.1  
CSA B651  
OBC

## KOHLER® One-Year Limited Warranty

See website for detailed warranty information.

## Available Colors/Finishes

*Color tiles intended for reference only.*

Color	Code	Description
	CP	Polished Chrome
	BN	Vibrant® Brushed Nickel

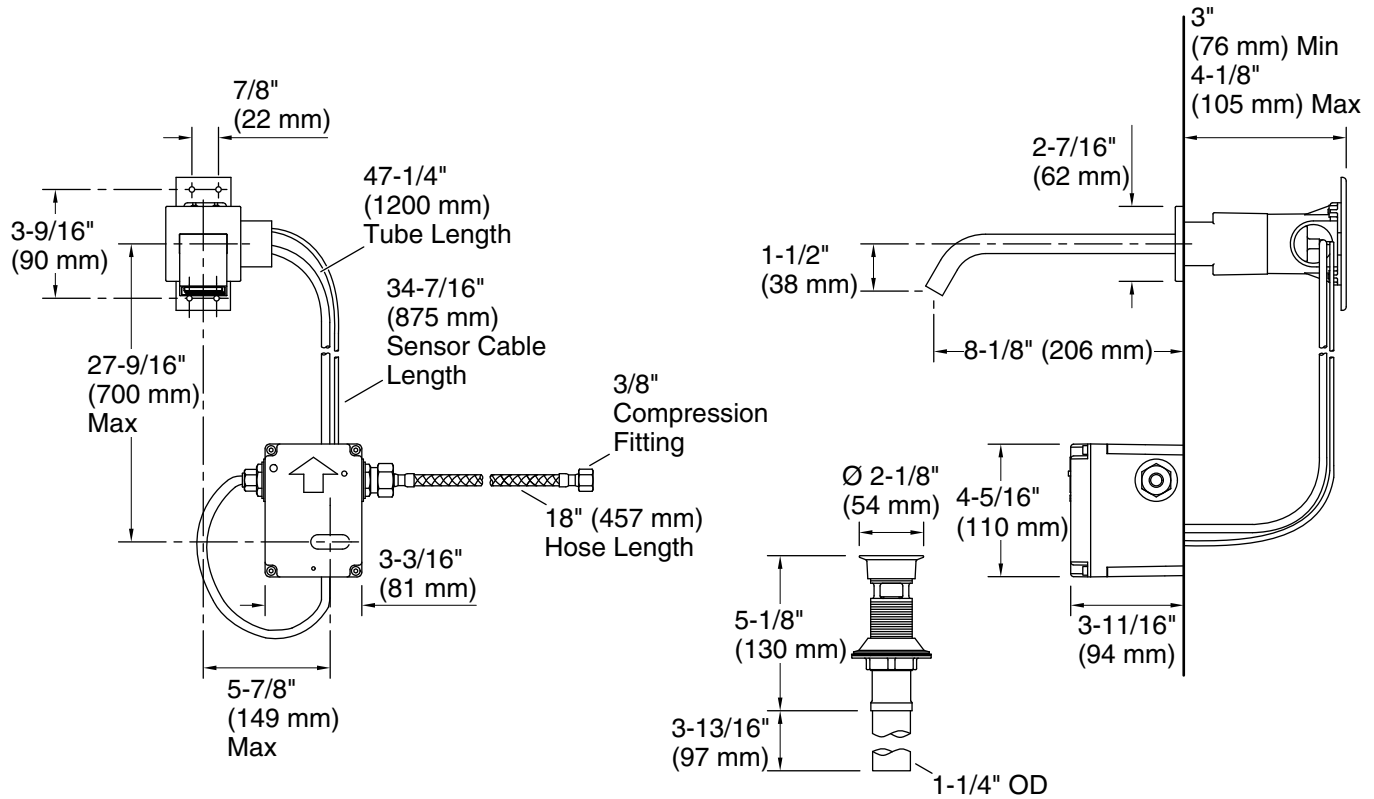
1-800-4KOHLER (1-800-456-4537)

Kohler Co. reserves the right to make revisions without notice to product specifications.

For the most current Specification Sheet, go to [www.kohler.com](http://www.kohler.com) USA or [www.kohler.ca](http://www.kohler.ca) Canada

9-24-2025 20:21 - US/CA

THE BOLD LOOK  
OF **KOHLER®**



**Technical Information**

All product dimensions are nominal.

- Power source: Hybrid Energy Cell, included
- Faucet flow rate: 0.5 gal/min (1.9 l/min)
- Drain included: Yes
- Drain tailpiece included: Yes
- Spout:**
- Spout reach: 8-1/16" (205 mm)

**Notes**

Install this product according to the installation instructions.  
ADA, OBC, CSA B651 compliant when installed to the specific requirements of these regulations.