



Sartorial™ Herringbone Caxton®

19-1/4" oval undermount bathroom sink, no overflow
K-14218-HD2

Features

- Decorated with a textural Herringbone design on Black background
- Deep oval basin
- No faucet holes; requires wall- or counter-mount faucet

Material

- Vitreous china

Installation

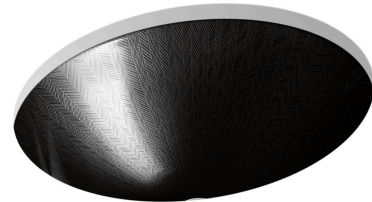
- Undermount

Recommended Products/Accessories

- K-9018 P-Trap
- K-23726 Drain treatment
- K-23725 Cast iron cleaner

Included Components

- 1193643 Basin clamps



ADA

CSA B651

Codes/Standards

ASME A112.19.2/CSA B45.1
ADA
ICC/ANSI A117.1
CSA B651

KOHLER® Vitreous China Bathroom Sink Lifetime Limited Warranty

See website for detailed warranty information.

Available Colors/Finishes

Color tiles intended for reference only.

Color Code Description

■	7	Black Black™
---	---	--------------

1-800-4KOHLER (1-800-456-4537)

Kohler Co. reserves the right to make revisions without notice to product specifications.

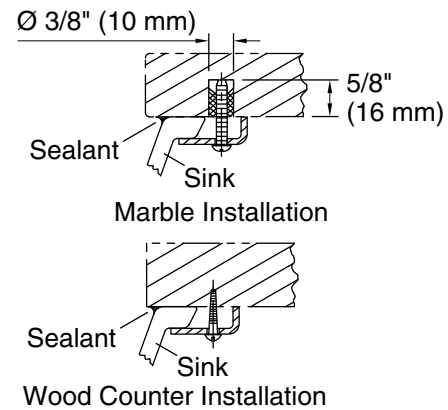
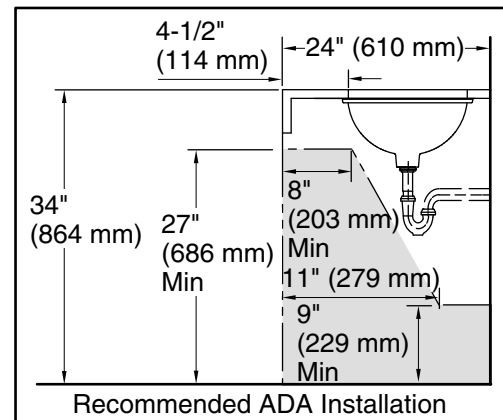
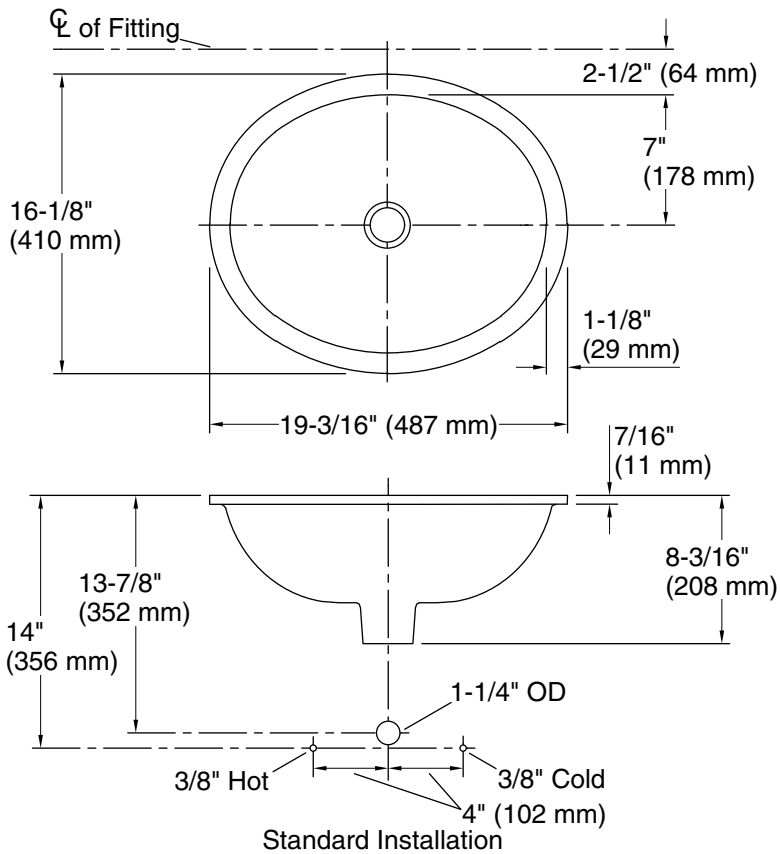
For the most current Specification Sheet, go to www.kohler.com USA or www.kohler.ca Canada

9-29-2025 21:31 - US/CA

THE BOLD LOOK
OF **KOHLER**®



Sartorial™ Herringbone Caxton®
 19-1/4" oval undermount bathroom sink, no overflow
K-14218-HD2



Technical Information

- All product dimensions are nominal.
- Basin configuration: Single Bowl
- Bowl area (Only): Length: 17" (432 mm)
 Width: 14" (356 mm)
 Water depth: 6-3/8" (162 mm)
- With overflow: No
- Drain hole: 1-3/4" (44 mm)
- Template: 1151011-7, required, included

Notes

- Install this product according to the installation instructions.
- NOTICE: Countertop manufacturer or cutter must use the current product template available at www.kohler.com, or by calling 1-800-4KOHLER. Kohler Co. is not responsible for cutout errors when the incorrect cutout template is used.
- Product dimensions are nominal and may vary per ASME A112.19.2 tolerances.
- ADA, CSA B651 compliant when installed to the specific requirements of these regulations.