



Iron Plains®

33" oval drop-in / undermount / vessel bathroom sink
K-20213-PAG

Features

- Elongated oval basin
- No faucet holes; requires wall- or counter-mount faucet
- With overflow
- Enameled Aspen Green interior and painted Aspen Green underside

Material

- KOHLER® enameled cast iron
- Acid-resistant enamel finish

Installation

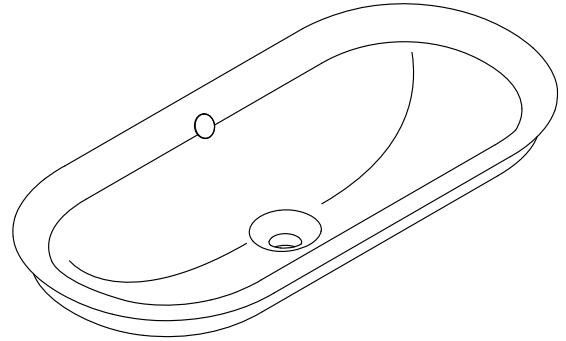
- Vessel, drop-in, or undermount

Recommended Products/Accessories

- K-23726 Drain treatment
- K-23725 Cast iron cleaner

Included Components

- 1193643 Basin clamps



ADA

CSA B651

Codes/Standards


ASME A112.19.1/CSA B45.2
ADA
ICC/ANSI A117.1
CSA B651

KOHLER® Enameled Cast Iron Kitchen and Bathroom Sink Lifetime Limited Warranty

See website for detailed warranty information.

Available Colors/Finishes

Color tiles intended for reference only.

Color	Code	Description
	42	Aspen Green

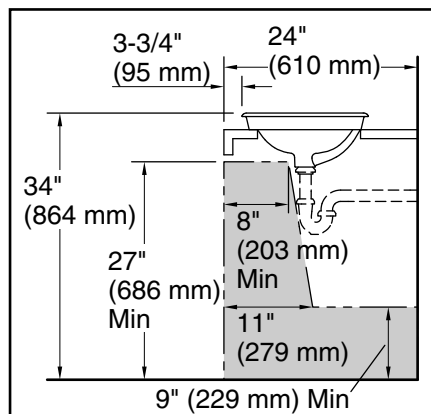
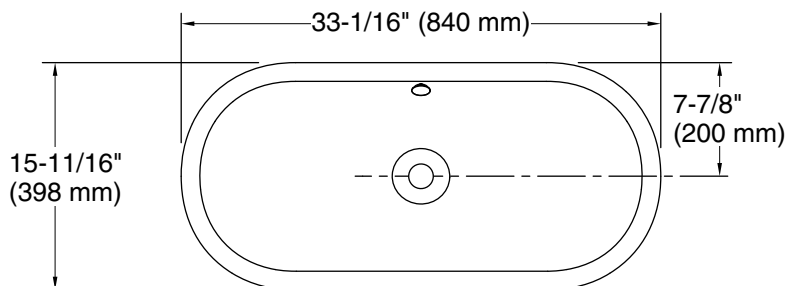
1-800-4KOHLER (1-800-456-4537)

Kohler Co. reserves the right to make revisions without notice to product specifications.

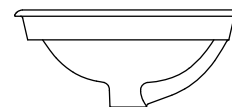
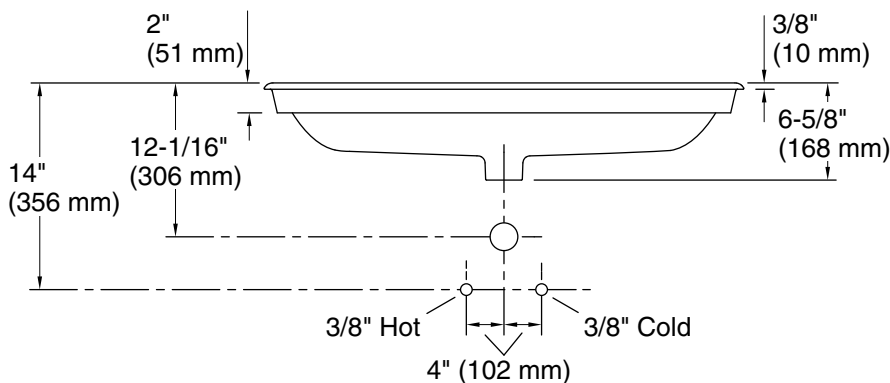
For the most current Specification Sheet, go to www.kohler.com USA or www.kohler.ca Canada

6-30-2025 19:36 - US/CA

THE BOLD LOOK
OF **KOHLER**®



Recommended ADA Installation



Technical Information

All product dimensions are nominal.

Basin configuration:	Single Bowl
Bowl area (Only):	Length: 31-13/16" (808 mm) Width: 14-7/16" (367 mm) Bowl depth: 4-11/16" (120 mm) Water depth: 3-1/4" (83 mm)
With overflow:	Yes
Drain hole:	1-3/4" (44 mm)
Template:	1319049-7, required, included

Notes

Install this product according to the installation instructions.

NOTICE: Countertop manufacturer or cutter must use the current product template available at www.kohler.com or by calling 1-800-4KOHLER. Kohler Co. is not responsible for cutout errors when the incorrect cut-out template is used.

ADA, CSA B651 compliant when installed to the specific requirements of these regulations.