

### Features

- Compact, modern wash-down urinal with no exposed bolt connections
- 0.125 gpf (0.47 lpf)
- Winning design is perfect for contemporary bathrooms
- Smooth contours make cleaning fixture fast and easy
- Back wall design provides superior splash containment
- Extended lip helps keep floor cleaner
- 3/4" (19 mm) top spud

### Material

- Vitreous china

### Technology

- Innovative trapway can be removed and replaced if necessary

### Installation

- Trapway secures urinal to wall, eliminating bolts for a faster installation



### Codes/Standards



ASME A112.19.2/CSA B45.1  
DOE - Energy Policy Act 1992  
EPA WaterSense®  
California Energy Commission (CEC)  
ADA  
ICC/ANSI A117.1

### KOHLER® One-Year Limited Warranty

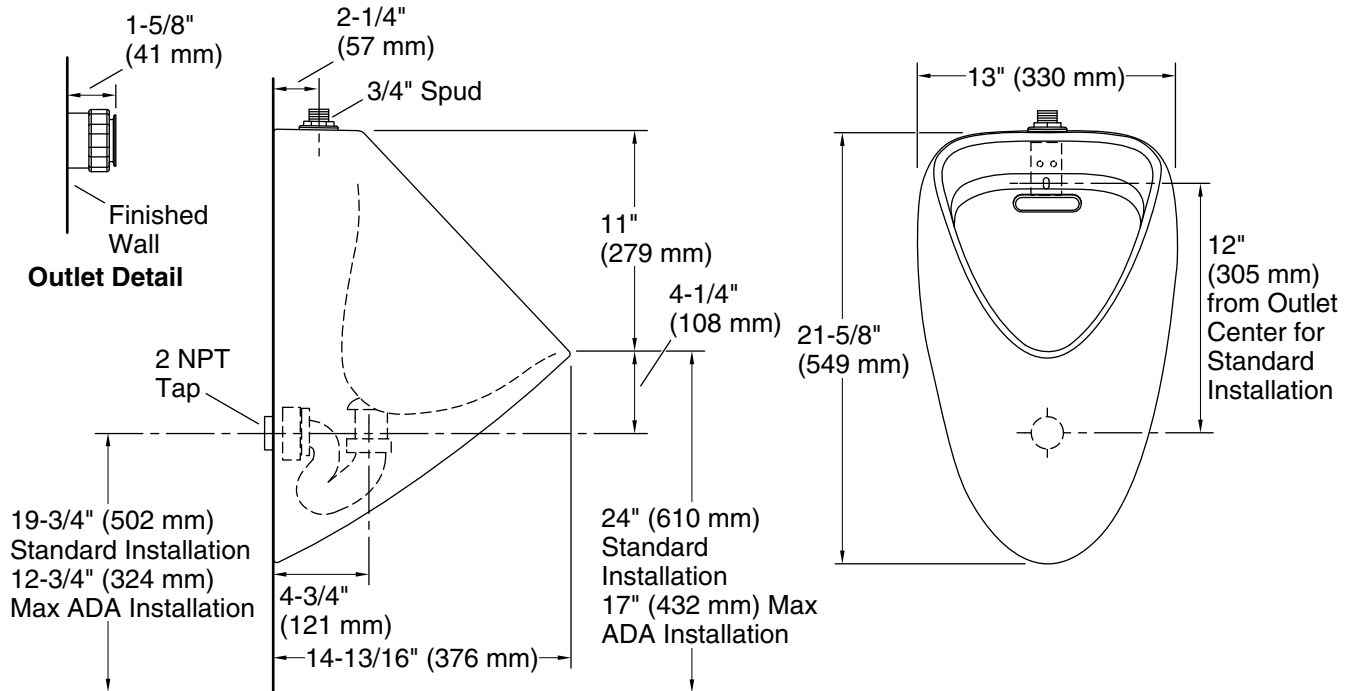
See website for detailed warranty information.

### Available Colors/Finishes

*Color tiles intended for reference only.*

Color	Code	Description
	0	White
	7	Black Black™

**Note:** Customer Connection Pipe must have 2" NPT External Thread.



### Technical Information

All product dimensions are nominal.

Flush Type:	Washout
Spud size:	3/4", Inlet, Top
Min. Water per Flush:	0.125 gpf (0.5 lpf)
Max. Water per Flush:	0.125 gpf (0.5 lpf)

Designed for the above water use when installed with a water-saving flushometer.

### Pressure and Supply Requirements

Fixture pressure min (static):	25 psi (172.4 kPa)
Fixture pressure max (static):	80 psi (551.6 kPa)

### Notes

Install this product according to the installation instructions.

Product dimensions are nominal and may vary per ASME A112.19.2 tolerances.

This product should be used with a WaterSense labeled counterpart with the same rated flush volume to ensure the complete system meets the requirements of this specification for water efficiency and performance.

ADA compliant when installed to the specific requirements of these regulations.