

Features

- Complements Artifacts faucets and accessories
- Versatile design that features a frosted shade surrounded by a clear glass shade
- For a vintage look, remove the optional frosted glass and add any E26 medium-base Edison bulb (sold separately)
- For soft lighting, use an E26 medium-base type B light bulb with the frosted shade (bulb sold separately)
- A 7.5' (2.3 m) cord offers many height options
- Fixture is dimmable when paired with dimmer switch and compatible bulbs

Material

- Manufactured with quality materials and complemented with a meticulous finishing process
- Durable finishes engineered to last and designed to coordinate with KOHLER faucet finishes



Codes/Standards

UL 1598
CSA C22.2 No. 250.0
cETL Listed
ETL Listed

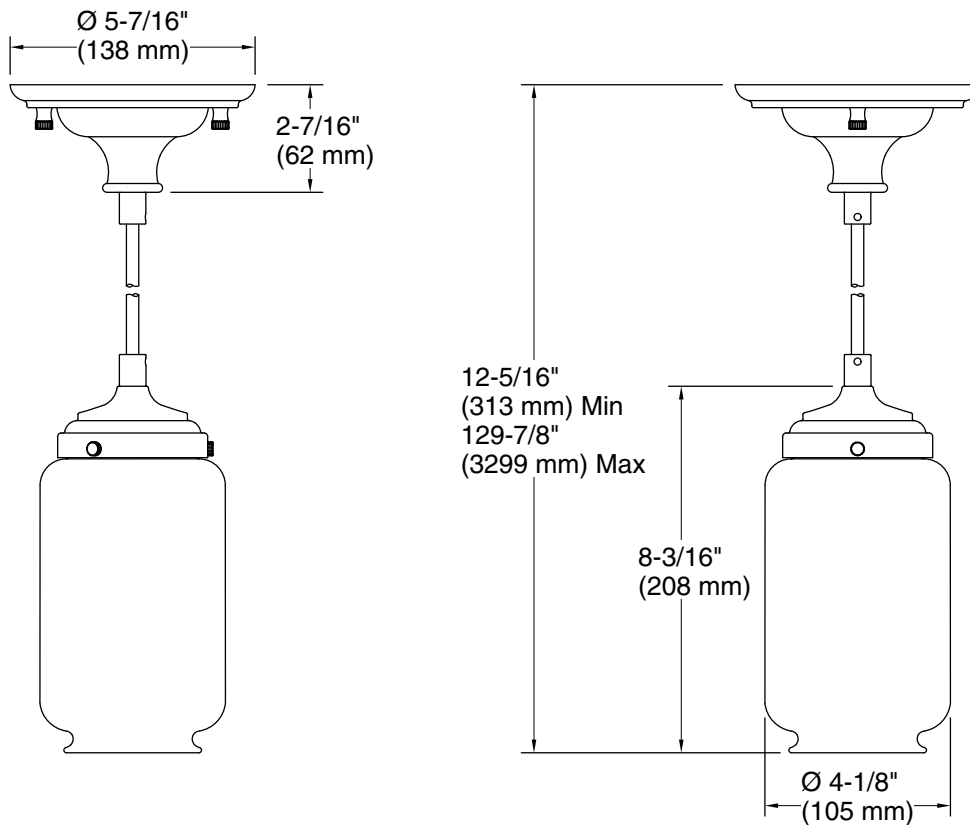
KOHLER® Indoor Lighting Fixtures Limited Warranty

See website for detailed warranty information.

Available Colors/Finishes

Color tiles intended for reference only.

Color	Code	Description
	SNL	Polished Nickel
	TTL	Titanium
	BNL	Brushed Nickel
	CPL	Polished Chrome
	BLL	Matte Black
	2GL	Brushed Moderne Brass
	AFL	French Gold
	BVL	Brushed Bronze



Required Electrical Service

One dedicated circuit required.

Lights: 120 V, 0.333 A, 60 Hz

Technical Information

All product dimensions are nominal.

Material: Brass
Number of Lights: 1
Lighting Type: Socket-based
Socket Type: E-26 Medium
Number of Shades: 2
Shade Type: Frosted Glass
Hanging Type: Cord
Height: 12-5/16" (312 mm) -
129-7/8" (3299 mm)
Electrical component rating: Socket Rating: 60 Hz, 40 W, 450
Lumens, 3000K