

Features

- For use with K-28829 in-wall tank and carrier system
- Large flush actuator plate is easily removed, allowing access to inner tank and flush valve for service
- Fingerprint-resistant finish stays clean longer

Material

- Premium material construction for durability and reliability
- KOHLER finishes resist corrosion and tarnishing

Installation

- Requires K-8108 Pneumatic Conversion In-Wall Kit (sold separately)

Required Products/Accessories

K-28829 In-wall tank and carrier system



ADA **CSA B651** **OBC**

Codes/Standards

ADA
ICC/ANSI A117.1
CSA B651
OBC



KOHLER® Toilets and Seats Limited Warranty

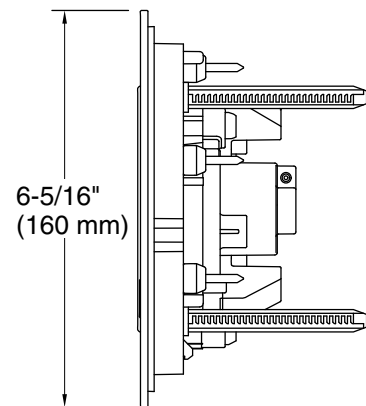
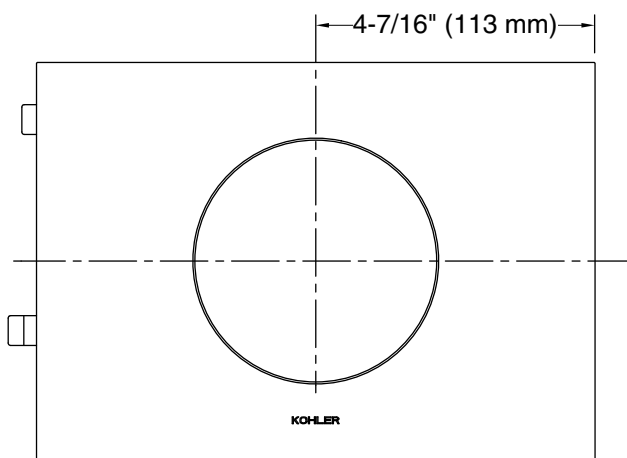
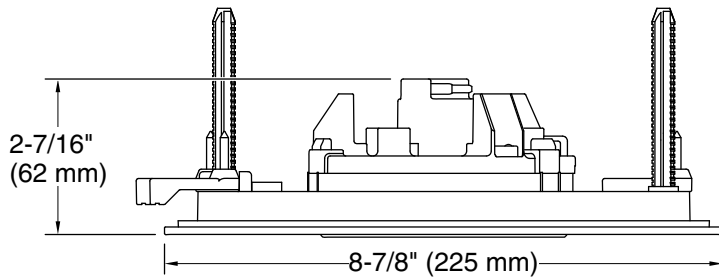
See website for detailed warranty information.

Available Colors/Finishes

Color tiles intended for reference only.

Color	Code	Description
-------	------	-------------

	0	White
	7	Black Black™



Technical Information

All product dimensions are nominal.

Material: Plastic

Notes

ADA, OBC, CSA B651 compliant when installed to the specific requirements of these regulations.