



Branham™

Full stall washout urinal with rear spud
K-25039-R

Features

- Full-stall wash-down urinal
- 0.5 or 1.0 gpf (1.9 or 3.8 lpf)
- Lip of urinal installs below floor level for easier cleaning around fixture
- Full length sidewalls provide added privacy
- External trapway
- 3/4" (19 mm) rear spud
- Drain sold separately

Material

- Vitreous china

Installation

- Replaces K-4920-R

Required Products/Accessories

K-9172 Urinal Strainer

or

K-9183 Urinal Strainer



ADA	CSA B651	OBC
------------	-----------------	------------

Codes/Standards

ASME A112.19.2/CSA B45.1
 DOE - Energy Policy Act 1992
 EPA WaterSense®
 California Energy Commission (CEC)
 ADA
 ICC/ANSI A117.1
 CSA B651
 OBC

KOHLER® One-Year Limited Warranty

See website for detailed warranty information.

Available Colors/Finishes

Color tiles intended for reference only.

Color Code Description

	0	White
---	---	-------

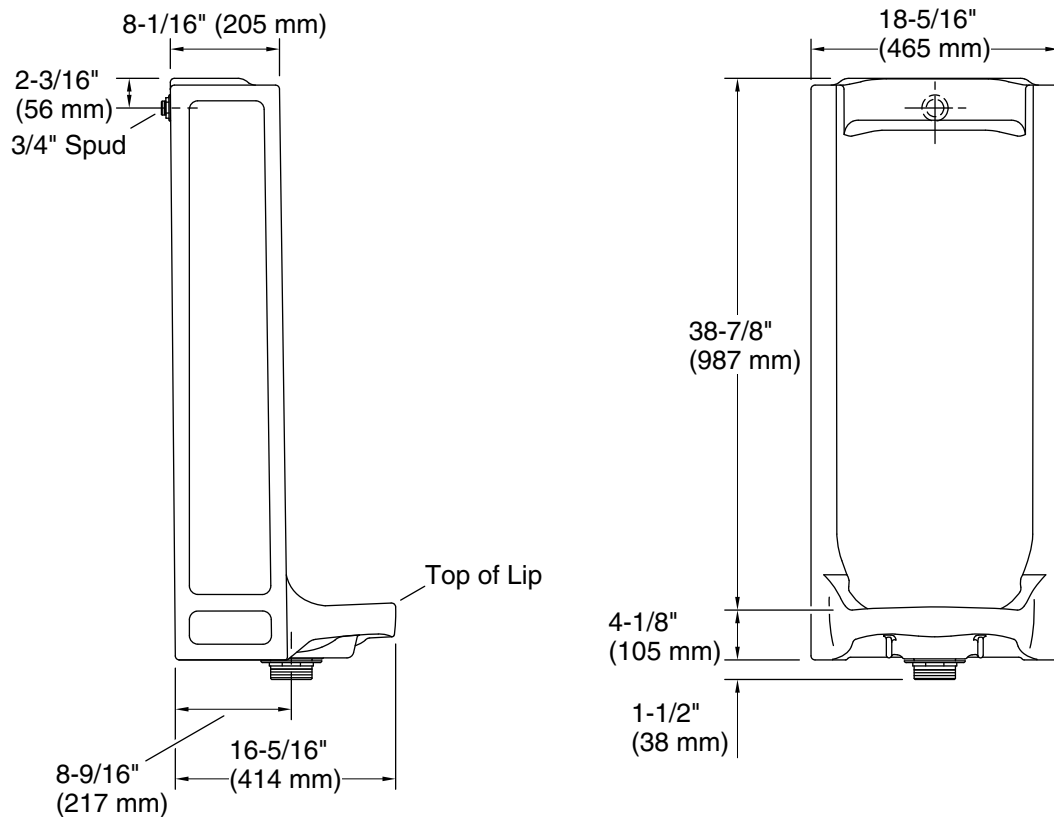
1-800-4KOHLER (1-800-456-4537)

Kohler Co. reserves the right to make revisions without notice to product specifications.

For the most current Specification Sheet, go to www.kohler.com USA or www.kohler.ca Canada

10-26-2025 21:11 - US/CA





Technical Information

All product dimensions are nominal.

Spud size: 3/4", Inlet, Rear

Min. Water per Flush: 0.5 gpf (1 lpf)

Max. Water per Flush: 1 gpf (3.8 lpf)

Designed for the above water use when installed with a water-saving flushometer.

Pressure and Supply Requirements

Fixture pressure min (static): 20 psi (137.9 kPa)

Fixture pressure max (static): 80 psi (551.6 kPa)

Notes

Install this product according to the installation instructions.

Refer to manufacturer's instructions and local codes for flushometer requirements.

Product dimensions are nominal and may vary per ASME A112.19.2 tolerances.

This product should be used with a WaterSense labeled counterpart with the same rated flush volume to ensure the complete system meets the requirements of this specification for water efficiency and performance.

ADA, OBC, CSA B651 compliant when installed to the specific requirements of these regulations.