

## Features

- Right-hand Polished Chrome trip lever
- For use with the Cimarron® Revolution 360® toilet

## Material

- Premium metal construction for durability and reliability
- KOHLER finishes resist corrosion and tarnishing



## Codes/Standards

None Applicable

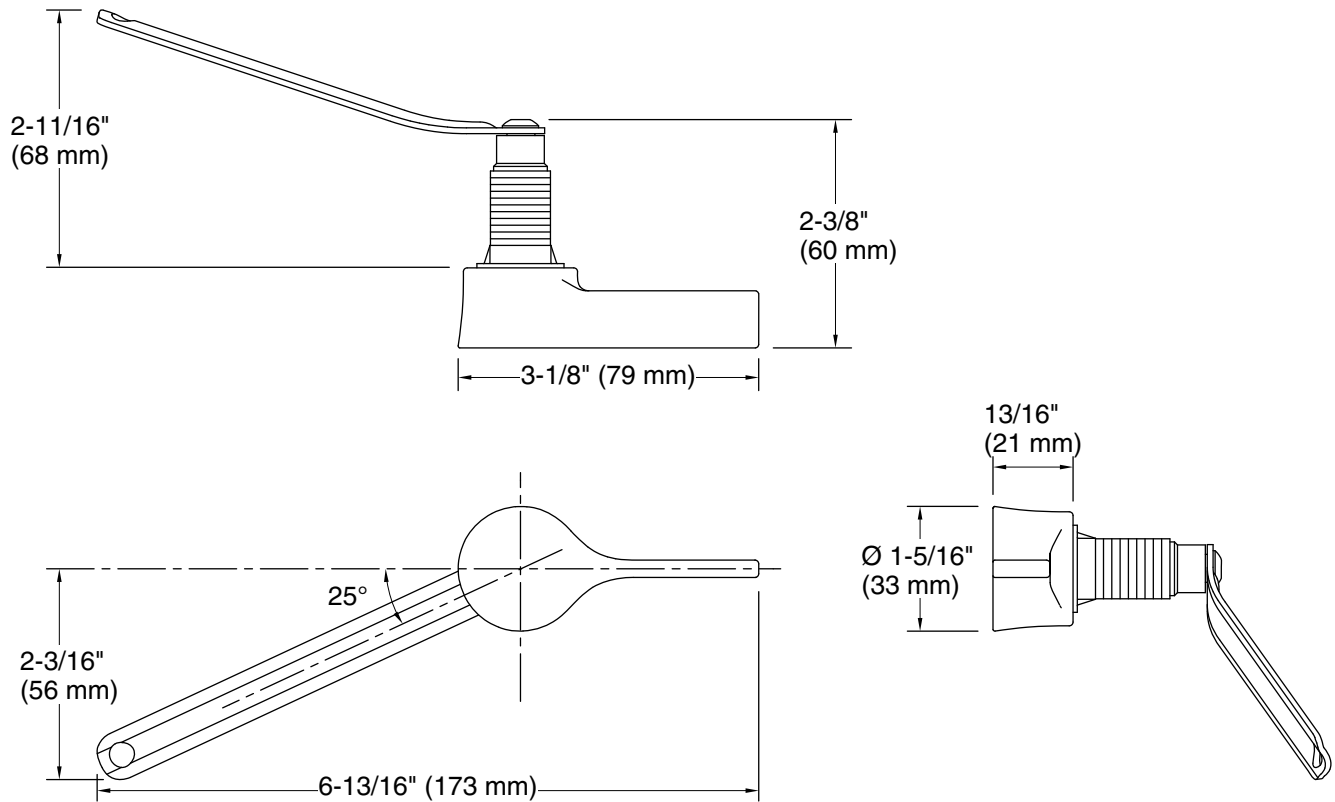
## KOHLER® One-Year Limited Warranty

See website for detailed warranty information.

## Available Colors/Finishes

*Color tiles intended for reference only.*

Color	Code	Description
	SN	Vibrant® Polished Nickel
	BN	Vibrant® Brushed Nickel
	BL	Matte Black



## Technical Information

All product dimensions are nominal.

Material: Zinc