

## Features

- Integral apron creates a clean, finished look
- Low step-over height allows easy entry and exit
- Round overflow
- Integral lumbar support
- Textured bottom surface

## Material

- Acrylic

## Installation

- Alcove
- Integral flange
- Right drain

## Recommended Products/Accessories

- K-7213 27" Cable Bath Drain
- K-7214 27" Cable Bath Drain
- K-11660 Bath Drain
- K-23726 Drain treatment



**ADA**

## Codes/Standards

CSA B45.5/IAPMO Z124  
ASTM E162  
ASTM E662  
ADA  
ICC/ANSI A117.1

## KOHLER® Plastic Baths and Shower Bases Lifetime Limited Warranty

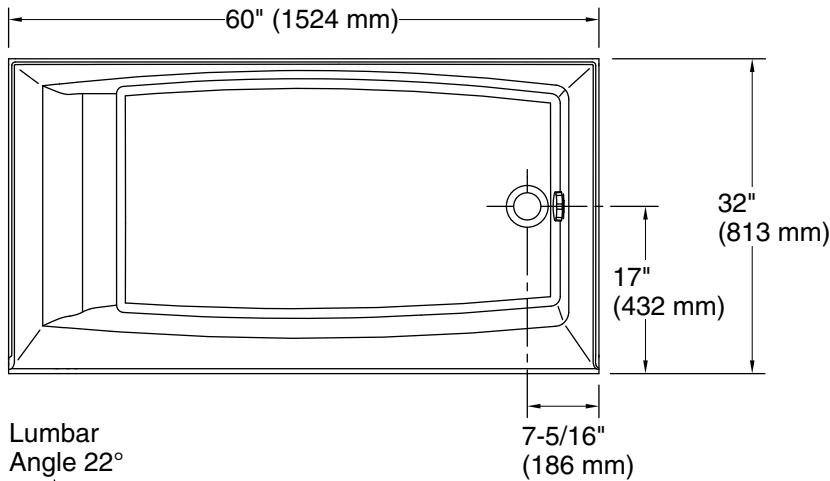
See website for detailed warranty information.

## Available Colors/Finishes

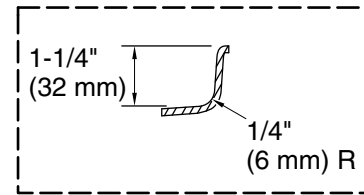
*Color tiles intended for reference only.*

### Color Code Description

■ 0 White

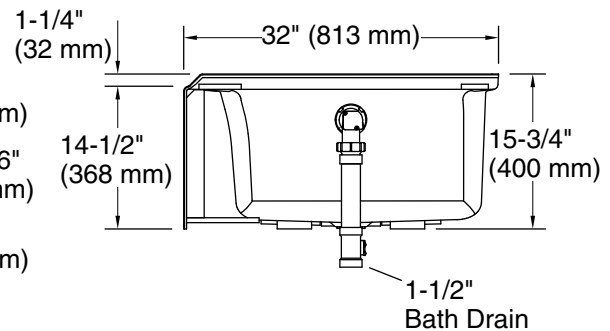
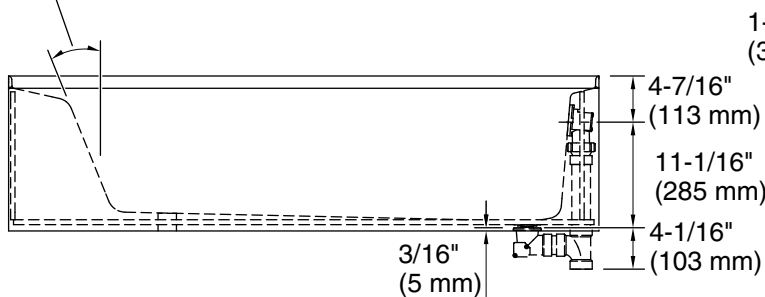


No change in measurements if connected with drain illustrated. (K-7213)



**Internal Flange Detail**

Lumbar  
Angle 22°



## Technical Information

All product dimensions are nominal.

|                        |                                                   |
|------------------------|---------------------------------------------------|
| Drain location:        | Right                                             |
| Basin area, bottom:    | 45-1/16" x 24-3/8" (1145 mm x 619 mm)             |
| Basin area, top:       | 53-1/16" x 26-3/8" (1348 mm x 670 mm)             |
| Weight:                | 61 lbs (27.7 kg)                                  |
| Minimum floor load:    | 36 lbs/ft <sup>2</sup> (175.8 kg/m <sup>2</sup> ) |
| Water depth:           | 9-1/8" (232 mm)                                   |
| Water capacity:        | 40.6 gal (153.7 L)                                |
| Minimum flat for door: | 2-15/16" (74 mm)                                  |

## Notes

Measure your actual product for rough-in details.

Install this product according to the installation instructions.

The hot water supply should be 70% of the capacity of the bath or greater. Installations will vary.

ADA compliant when installed to the specific requirements of these regulations.