

Features

- Suspended faucet delivers a minimalist design and a clean countertop footprint
- Swing arm rotates 180° for full sink coverage
- Swiveling 7' (2.14 m) braided hose extends functional reach and allows for countertop pot filling
- Two-function pull-down sprayhead with touch control allows you to switch between aerated and Sweep® sprays
- Aerated flow
- Sweep® spray provides a wide, powerful blade of water that sweeps your dishes and sink clean
- Pause feature temporarily stops the flow of water, allowing you to fill large cookware or water plants on the countertop instead of lifting it in and out of the sink
- Electronic wireless remote control paired with digitally controlled thermostatic mixing valve provides precision control of water temperature and flow
- Boost technology increases the flow rate by 30% with the press of a button
- MasterClean™ sprayface features an easy-to-clean surface that withstands mineral buildup and maximizes spray performance
- 1.5 gpm (5.7 lpm) maximum flow rate at 60 psi (4.14 bar)

Material

- Premium material construction for durability and reliability
- KOHLER finishes resist corrosion and tarnishing

Installation

- Unit must be installed parallel to existing ceiling joists for structural integrity
- Requires zero-pitch ceiling for faucet assembly
- Requires K-29180 Rough-in Box for installation
- Recommended ceiling height of 8 -10' (2.4 - 3.1 m) for optimal user experience
- Requires placement within 26' (8 m) of faucet assembly

Required Products/Accessories

For wall-mount installation

K-29180 Ceiling-mount rough-in box

Adapters, Rough-in and Extension Kits

K29180-NA

Range: 96" (2438 mm) -
120" (3048 mm)



Codes/Standards

ASME A112.18.1/CSA B125.1
NSF/ANSI/CAN 61
NSF/ANSI/CAN 372

KOHLER® Electronic Faucets, Valves, and Controls Five-Year Limited Warranty KOHLER® Faucet Lifetime Limited Warranty

See website for detailed warranty information.

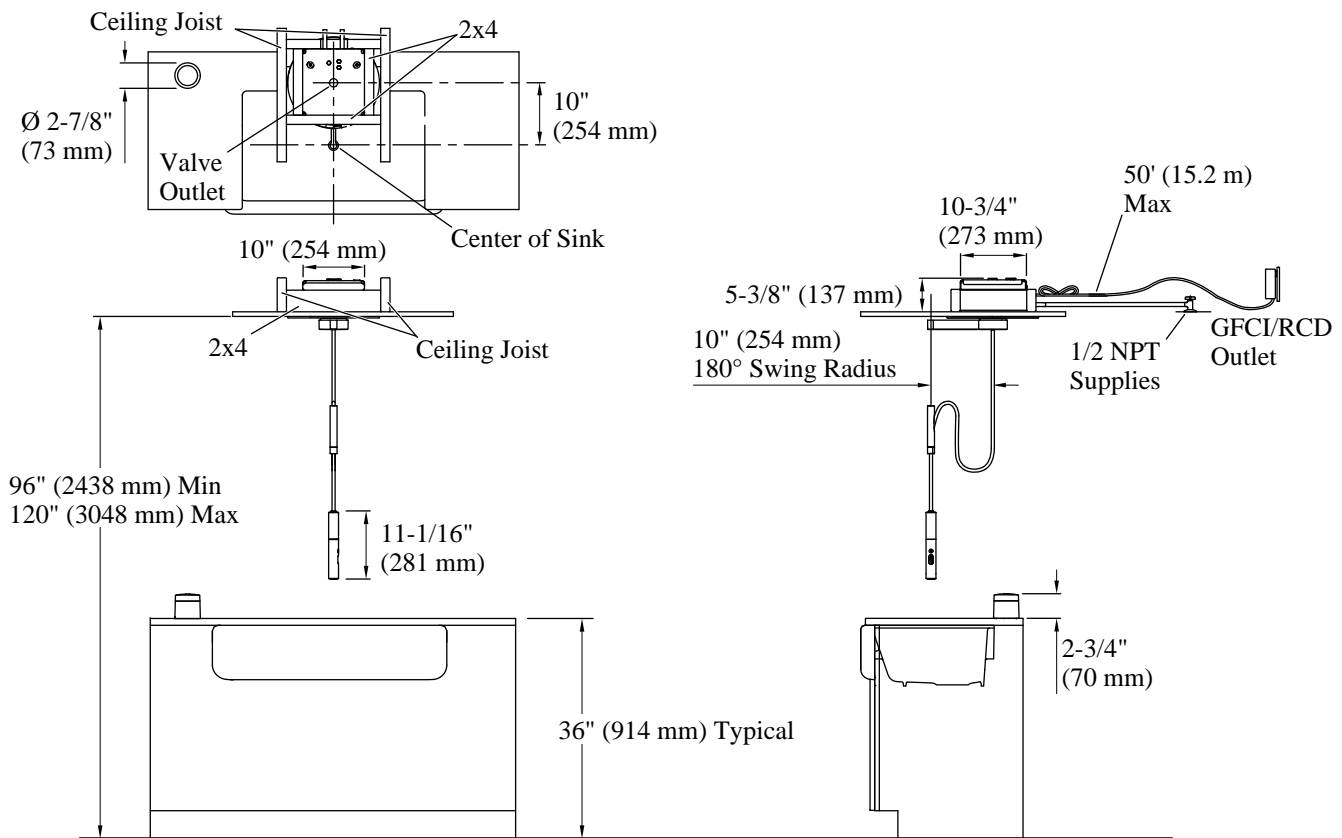
Available Colors/Finishes

Color tiles intended for reference only.

Color	Code	Description
-------	------	-------------



BL	Matte Black
----	-------------



Required Electrical Service

One dedicated circuit required.

Controller module: 110/220 V, 50/60 Hz

Technical Information

All product dimensions are nominal.

Power source: Battery - DC, included

Faucet flow rate: 1.5 gal/min (5.7 l/min)

Spout:

Charge voltage: USB 5 V

Charge time: 4 hours

Pressure/fixture Supply Requirements

Fixture pressure 120 psi (827.4 kPa)
max (static):

Fixture pressure min 20 psi (137.9 kPa)
(static):

Notes

Install this product according to the installation instructions.

This faucet should not be installed in a location where there is a vaulted ceiling.

The rough-in box must be installed in line with the ceiling joists. Angular installation can damage the structural integrity of the ceiling joists.

Access must be provided for supply stops and electrical outlet.

The ceiling must be level.