

Features

- Contains electronic mixing valve to operate K-29179 Purist[®] Suspend ceiling-mount kitchen sink faucet

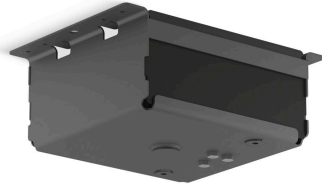
Installation

- Requires K-29179 for installation

Required Products/Accessories

For wall-mount installation

K-29179 Ceiling-mount kitchen sink faucet



Codes/Standards

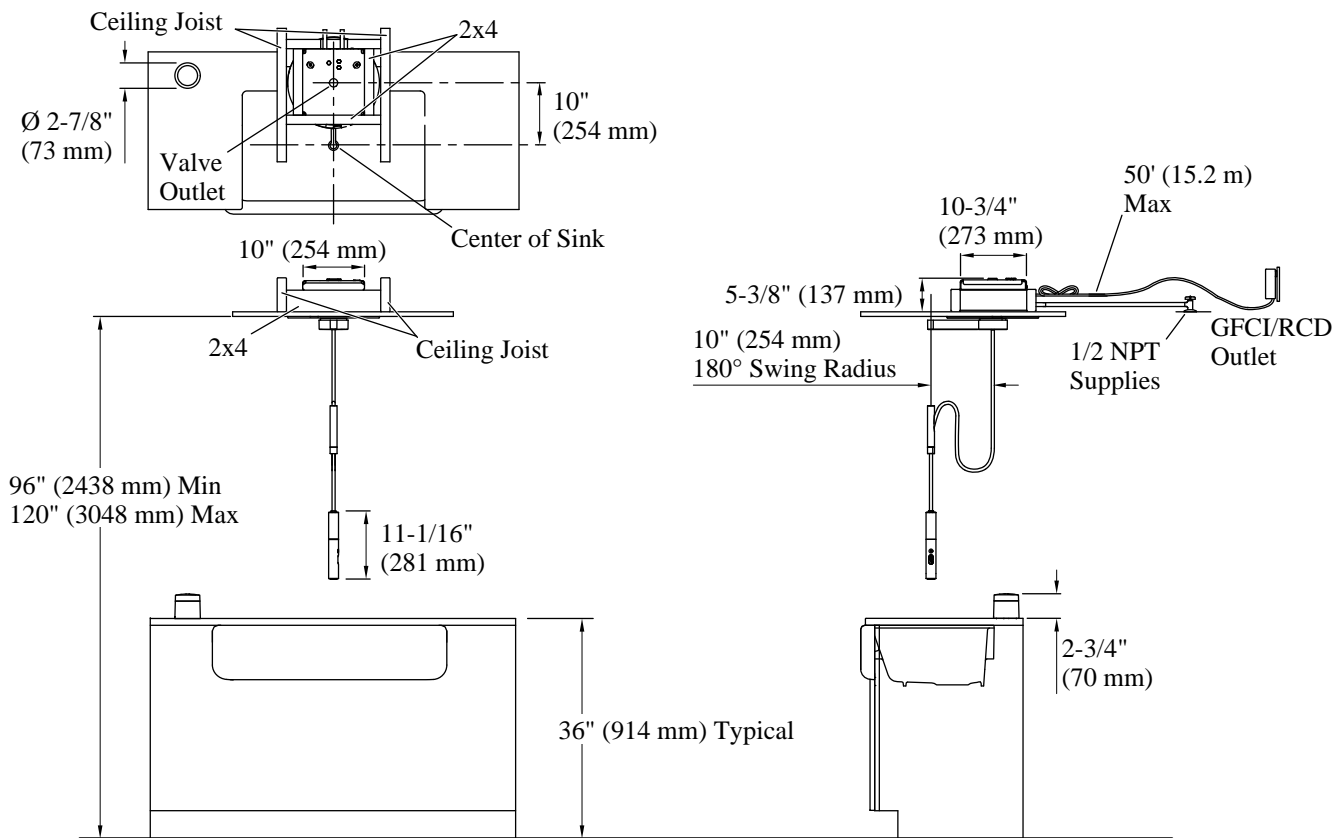
ASME A112.18.1/CSA B125.1

NSF/ANSI/CAN 61

NSF/ANSI/CAN 372

**KOHLER[®] Faucet Lifetime Limited
Warranty KOHLER[®] Electronic
Faucets, Valves, and Controls Five-
Year Limited Warranty**

See website for detailed warranty information.



Required Electrical Service

One dedicated circuit required.

Thermostatic valve: 110/220 V, 50/60 Hz

Technical Information

All product dimensions are nominal.

Power source: Plug - AC, included

Faucet flow rate: 1.5 gal/min (5.7 l/min)

Electrical component rating: Thermostatic valve: 110/220 V

Spout:

Notes

Install this product according to the installation instructions.

This faucet should not be installed in a location where there is a vaulted ceiling.

The rough-in box must be installed in line with the ceiling joists. Angular installation can damage the structural integrity of the ceiling joists.

Access must be provided for supply stops and electrical outlet.

The ceiling must be level.