

## Features

- Freestanding design creates a striking focal point in your bathing area
- Rectangular basin creates a spacious bathing experience
- Integral lumbar support on both ends
- Slotted overflow allows for deep soaking
- 12-1/16" (306 mm) deep-soaking depth provides a luxurious bathing experience
- Safeguard® slip-resistant surface provides excellent traction underfoot
- Center drain
- Drain and integral overflow preinstalled to reduce installation time
- Sleek straight shroud design is easy to clean and lends itself to both transitional and contemporary bathrooms
- Requires K-36361 Volute bath drain trim (sold separately)
- Low step-over height allows easy entry and exit

## Material

- KOHLER® enameled cast iron bath
- White acrylic shroud
- Brass drain

## Installation

- Freestanding

## Required Products/Accessories

For freestanding installation  
K-36361 Bath drain trim



## Codes/Standards

ASME A112.19.1/CSA B45.2

## KOHLER® Enameled Cast Iron Bath and Shower Base Lifetime Limited Warranty

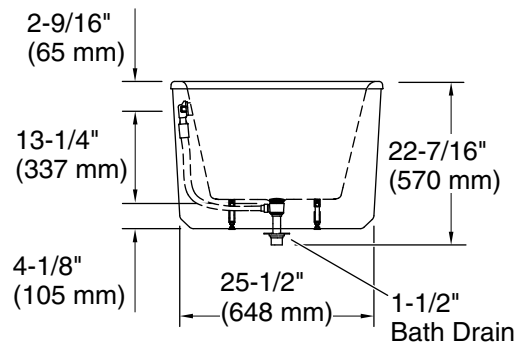
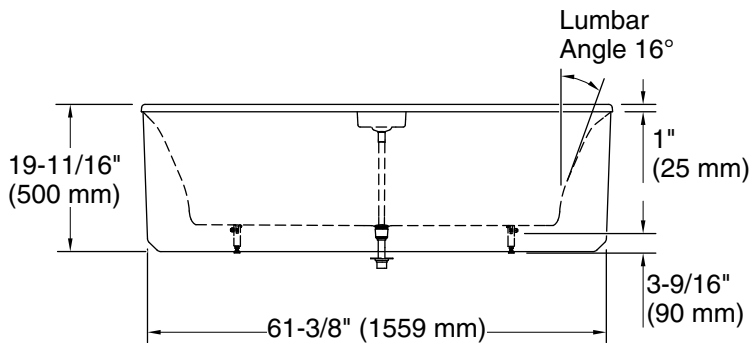
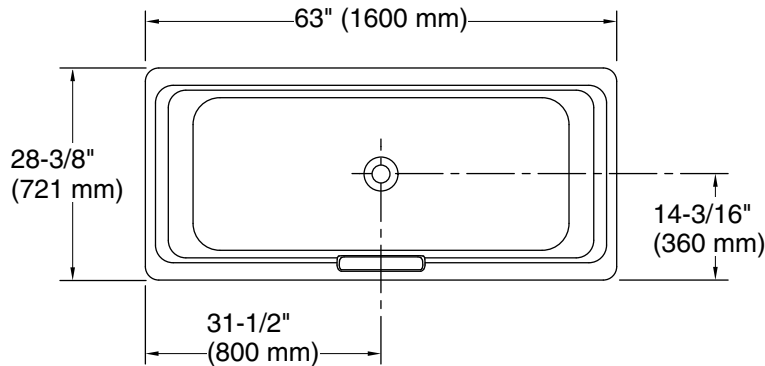
See website for detailed warranty information.

## Available Colors/Finishes

*Color tiles intended for reference only.*

### Color Code Description

|   |   |       |
|---|---|-------|
|  | 0 | White |
|---|---|-------|



## Technical Information

All product dimensions are nominal.

|                     |   |
|---------------------|---|
| Drain location:     | Center  |
| Basin area, bottom: | 50-5/16" x 20-3/8" (1278 mm x 518 mm)               |
| Basin area, top:    | 60-1/4" x 23-11/16" (1531 mm x 602 mm)              |
| Weight:             | 370 lbs (167.8 kg)                                  |
| Minimum floor load: | 62.8 lbs/ft <sup>2</sup> (306.6 kg/m <sup>2</sup> ) |
| Water depth:        | 12-1/8" (308 mm)                                    |
| Water capacity:     | 45.97 gal (174 L)                                   |

## Notes

Measure your actual product for rough-in details.

Install this product according to the installation instructions.

The hot water supply should be 70% of the capacity of the bath or greater. Installations will vary.

Install this product according to the installation instructions.