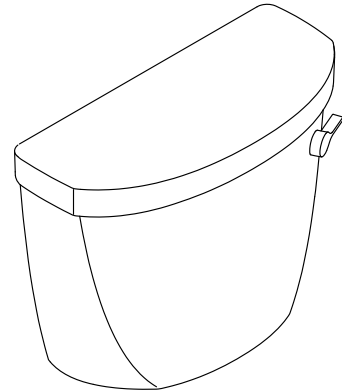


## Features

- 1.6 gpf (6.0 lpf)
- Right-hand Polished Chrome trip lever
- Combines with the K-31588 or K-31589 bowl to create a complete K-31620-RA or K-31640-RA Cimarron® toilet
- AquaPiston® canister optimizes the flow out of the tank, harnessing gravity and the natural, powerful reducing cascade of water to increase the power and effectiveness of the flush
- Easy-to-flush canister design requires less force to actuate than a 3" (76 mm) flapper, and has 90% less exposed seal material which resists conditions that cause wear, tear, shrinkage and swelling

## Recommended Products/Accessories

- K-31588 Elongated toilet bowl
- K-31589 Round-front toilet bowl
- K-25986-R Right-hand trip lever



## Codes/Standards

ASME A112.19.2/CSA B45.1

## KOHLER® One-Year Limited Warranty

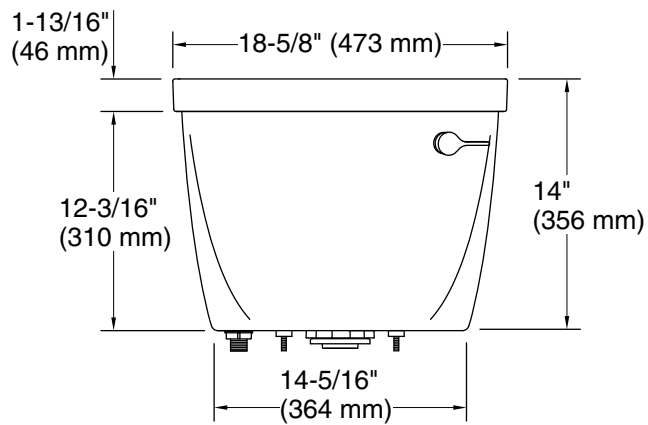
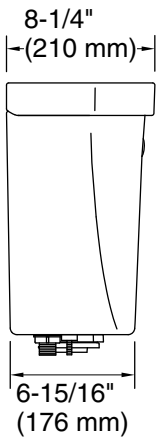
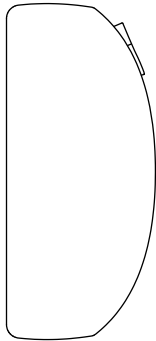
See website for detailed warranty information.

## Available Colors/Finishes

*Color tiles intended for reference only.*

Color	Code	Description
-------	------	-------------

	0	White
---	---	-------



## Technical Information

All product dimensions are nominal.

Toilet type: Bowl-mount

Flush type: AquaPiston

## Notes

Install this product according to the installation instructions.

Product dimensions are nominal and may vary per ASME A112.19.2 tolerances.