

Features

- Set includes cabinet, precut quartz vanity top, sinks, cabinet hardware, and vanity legs
- Contemporary cabinetry features unique fluted paneling
- Six full-extension soft-close drawers with integrated pull handles
- Optional vanity legs give cabinet an elevated look
- Vanity top provides complete overhanging coverage of cabinetry
- Vanity top has 8" (203 mm) widespread faucet holes at each sink location
- Two 442007-U Stinson® 20-3/16" (513 mm) rectangular undermount bathroom sinks
- Rear drain placement increases vanity cabinet storage space underneath
- Three-hole front overflow
- Pairs with divided drawer organizer and drawer organizer set to sort small items (sold separately)
- Pearl White round feet included on the White vanity and Ebony square feet included on the Dark Steel vanity
- Pure Silver hardware included on the White vanity and Titanium Frosted Black hardware included on the Dark Steel vanity
- Pure White (PWH) quartz vanity top adds beauty and long-lasting durability
- Coordinates with Pure White (PWH) quartz side splash (sold separately)

Material

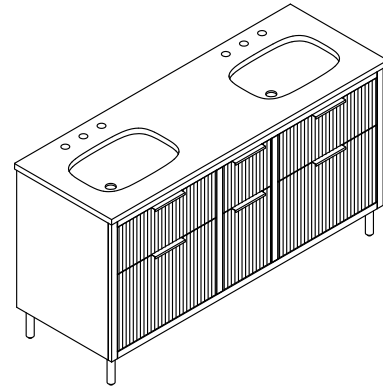
- Solid wood, plywood, and moisture-resistant MDF vanity cabinet
- Vitreous china sinks
- Aluminum drawer handles
- Aluminum vanity legs
- Quartz vanity top

Installation

- Wall-hung
- Installation hardware included
- Separate vanity top makes for simplified installation

Recommended Products/Accessories

K-25819 4" x 17-1/4" quartz side splash

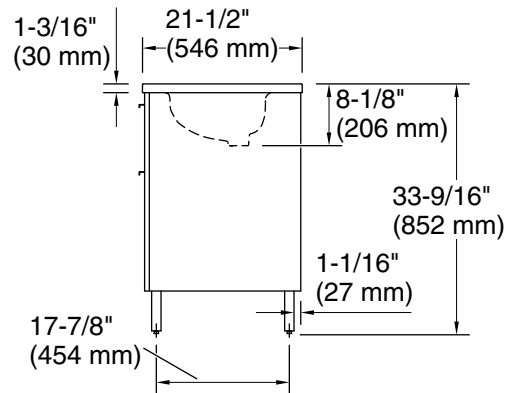
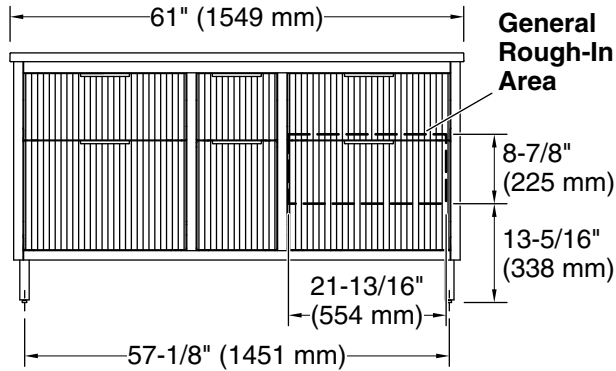
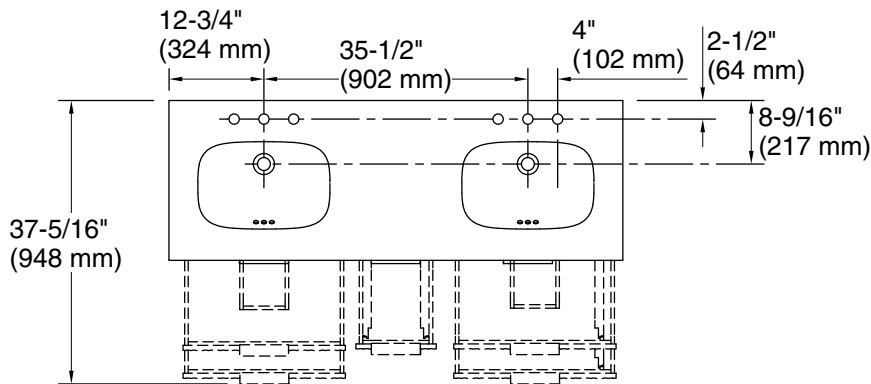


Codes/Standards

ASME A112.19.2/CSA B45.1
EPA TSCA Title VI/CARB P2

KOHLER® One-Year Limited Warranty

See website for detailed warranty information.



Technical Information

All product dimensions are nominal.

Lighting included: No

Notes

Install this product according to the installation instructions.

Select the type of fastener based upon the wall material. Two 500 lb (277 kg) minimum load bearing fasteners are recommended.