



Landshapes® by Daniel Arsham

60" bathroom vanity cabinet
K-32299

Features

- Designed in collaboration with Daniel Arsham
- Four solid-wood drawers with dovetail joint construction
- Soft-close undermount drawer slides for smooth opening
- Full-extension 16-3/4" (425 mm) deep drawers provide ample storage
- Integrated drawer finger pulls allow vanity to be finished with or without coordinating hardware
- Pre-drilled pilot holes for installing coordinating Landshapes by Daniel Arsham decorative knobs (sold separately)
- Coordinates with other products in the Landshapes™ by Daniel Arsham collection

Material

- Solid and composite wood
- Wood is a living material, and its beauty is enhanced by natural variations in grain, color, and pattern. No two pieces of wood are exactly the same, and the color will change with age, temperature, and exposure to light

Installation

- Professional installation recommended

Recommended Products/Accessories

- K-32300 21-1/2" oval vessel bathroom sink, no overflow
- K-T77981-CLG Wall-mount bathroom sink faucet handle trim
- K-5401-DA One-piece elongated smart toilet, dual-flush
- K-32131 69-1/2" x 34-1/2" freestanding bath
- K-32693-SCLED One-light LED sconce
- K-32694-SCLED One-light LED sconce
- K-32695-PELED 14-3/4" pendant



Codes/Standards

ASME A112.19.2/CSA B45.1

KOHLER® One-Year Limited Warranty

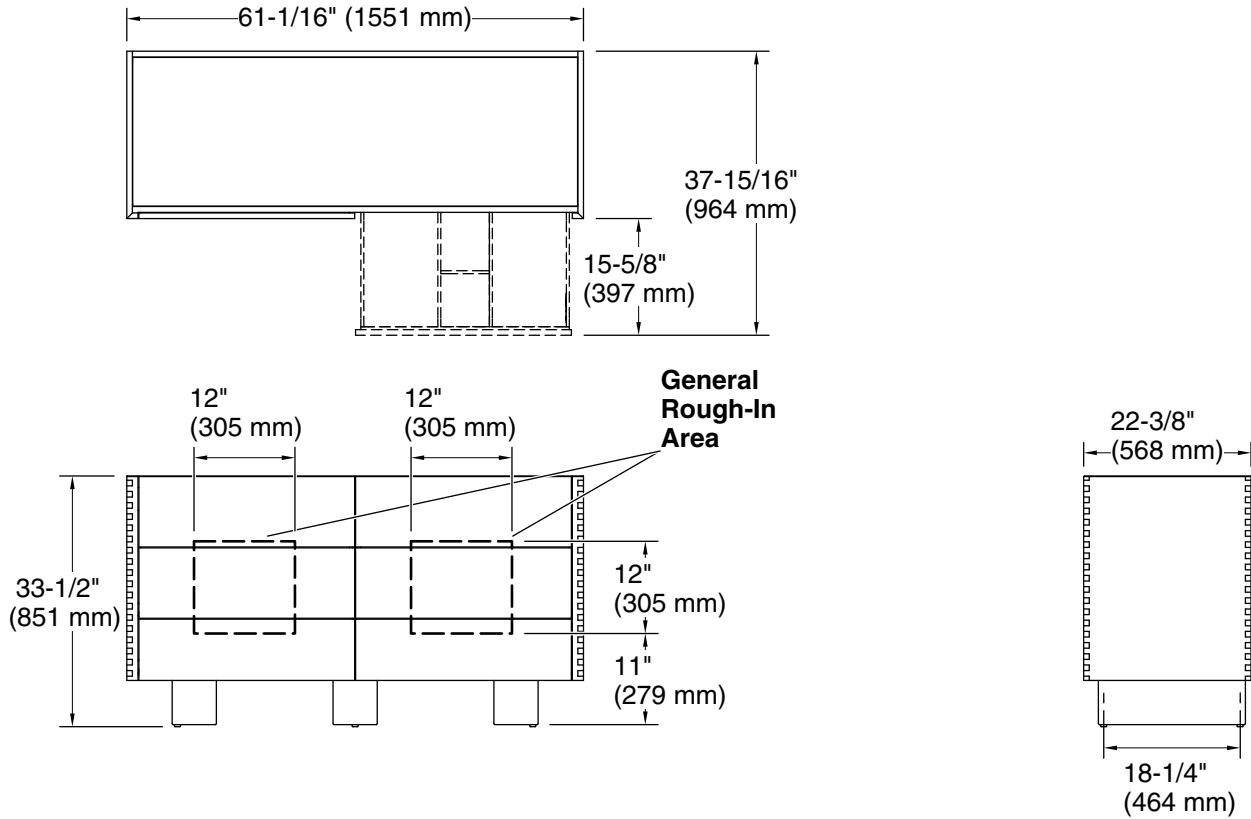
See website for detailed warranty information.



Landshapes® by Daniel Arsham

60" bathroom vanity cabinet

K-32299



Technical Information

All product dimensions are nominal.

Lighting included: No

Notes

Install this product according to the installation guide.

If installing the Landshapes™ by Daniel Arsham vanity, vanity top, and vessel sink together, the bathroom sink drain outlet must be installed $28"$ (711 mm) or higher from the floor.