



Landshapes® by Daniel Arsham

31" Dekton® vanity top
K-32307

Features

- Designed in collaboration with Daniel Arsham
- For use with Landshapes™ by Daniel Arsham 30" (762 mm) bathroom vanity cabinet (sold separately)
- Sink cutout designed to pair with Landshapes™ by Daniel Arsham 21-1/2" (545 mm) vessel sink (sink sold separately)
- Flat, square edges give a crisp, finished look
- This product is covered under the Silestone® 25-Year Limited Warranty
- Coordinates with other products in the Landshapes™ by Daniel Arsham collection



Material

- Dekton® porcelain

Recommended Products/Accessories

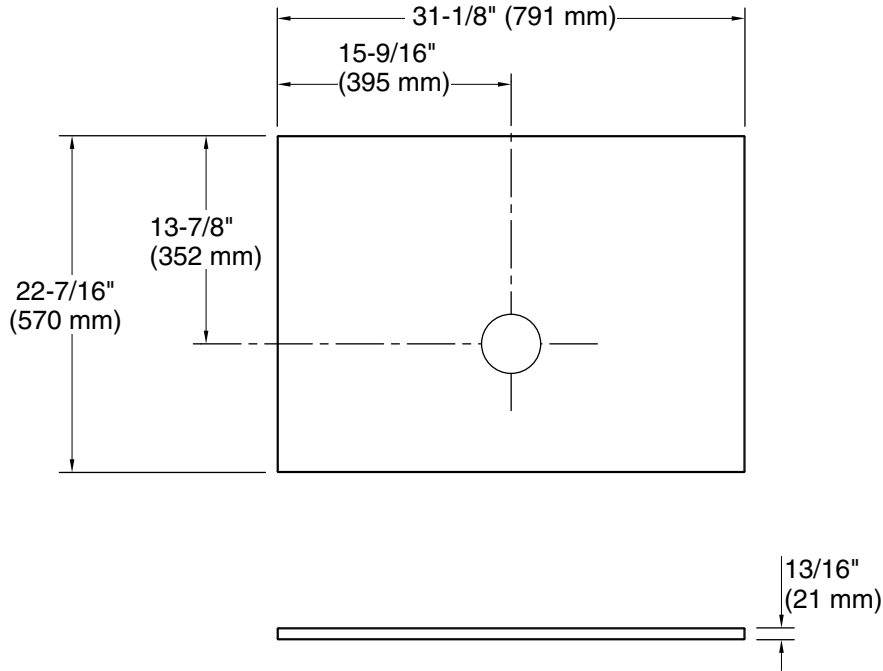
- K-32300 21-1/2" oval vessel bathroom sink, no overflow
- K-32263 Triangular cabinet knob
- K-T77981-CLG Wall-mount bathroom sink faucet handle trim
- K-5401-DA One-piece elongated smart toilet, dual-flush
- K-32131 69-1/2" x 34-1/2" freestanding bath
- K-32693-SCLED One-light LED sconce
- K-32694-SCLED One-light LED sconce
- K-32695-PELED 14-3/4" pendant

Codes/Standards

None Applicable

Silestone® 25-Year Limited Warranty

See website for detailed warranty information.



Technical Information

All product dimensions are nominal.

Min. base cabinet width: 30" (762 mm)

With overflow: No

Notes

Install this product according to the installation instructions.

If installing the Landshapes™ by Daniel Arsham vanity, vanity top, and vessel sink together, the bathroom sink drain outlet must be installed 28" (711 mm) or higher from the floor.