

### Features

- Designed in collaboration with Daniel Arsham
- A delicate glass sheet drapes over a sphere of light creating a warm luminosity
- Integrated LED
- Suitable for damp locations, per UL 1598
- Includes installation hardware
- Pairs with K-32693-SCLED one-light sconce for a distinctly asymmetrical aesthetic (sold separately)
- Coordinates with other products in the Landshapes™ by Daniel Arsham collection

### Material

- Premium metal and glass construction
- Manufactured with quality materials and complemented with a meticulous finishing process
- Durable finishes engineered to last and designed to coordinate with KOHLER faucet finishes

### Installation

- Wall-mount

### Recommended Products/Accessories

- K-32693-SCLED One-light LED sconce
- K-32695-PELED 14-3/4" pendant
- K-32131 69-1/2" x 34-1/2" freestanding bath
- K-32263 Triangular cabinet knob
- K-32300 21-1/2" oval vessel bathroom sink, no overflow
- K-32307 31" Dekton® vanity top
- K-32316 61" Dekton® vanity top
- K-32576
- K-32624 3" x 12" feature tile produced by the KOHLER WasteLAB
- K-32639 6" x 6" feature tile produced by the KOHLER WasteLAB
- K-5401-DA One-piece elongated smart toilet, dual-flush
- K-T77981-CLG Wall-mount bathroom sink faucet handle trim



### Codes/Standards


UL 1598  
CSA C22.2 No. 250.0

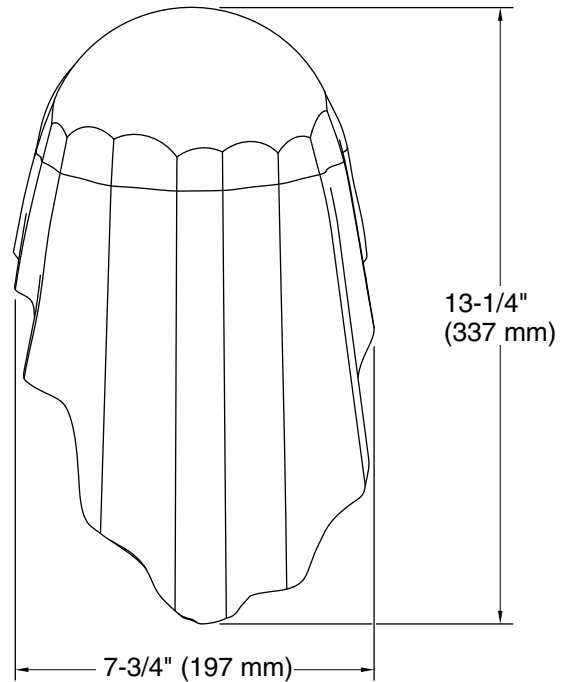
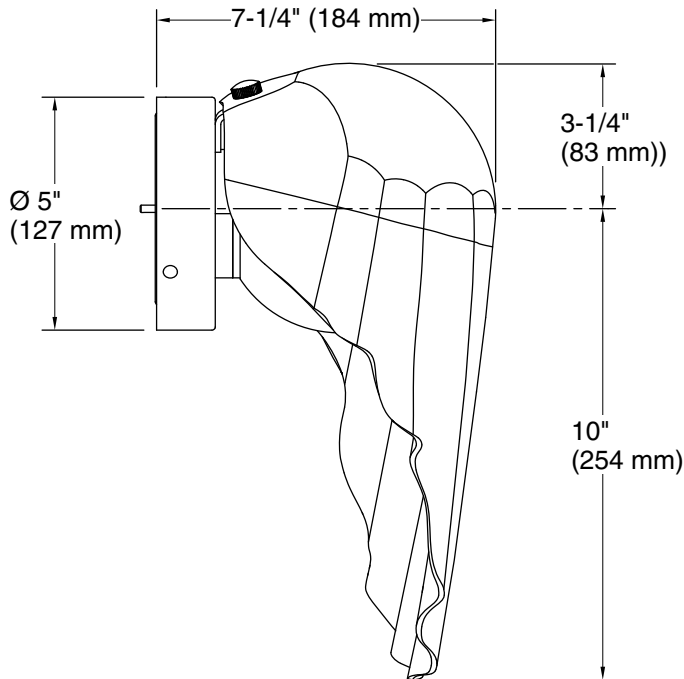
### KOHLER® Indoor Lighting Fixtures Limited Warranty

See website for detailed warranty information.

### Available Colors/Finishes

*Color tiles intended for reference only.*

Color	Code	Description
	BNL	Brushed Nickel



### Required Electrical Service

One circuit required.

120 V, 1 A, 60 Hz

### Technical Information

All product dimensions are nominal.

Material: Steel, Glass  
Lighting Type: Integrated LED  
Number of Shades: 1  
Shade Type: Painted Glass  
Hanging Type: Non-hanging  
CRI:  $\geq 90$   
Life Span: 50000 Hours  
Height: -

### Notes

Install this product according to the installation instructions.