

## Features

- Clear glass shades with inner frosted glass diffusers for reduced glare
- Requires three bulbs with medium (E26) base; T10 bulb recommended (sold separately)
- Coordinates with faucets and accessories in the Artifacts collection
- Suitable for damp locations, per UL 1598
- Includes installation hardware
- Fixture is dimmable when paired with dimmer switch and compatible bulbs

## Material

- Premium metal construction for durability and reliability
- KOHLER finishes resist corrosion and tarnishing

## Installation

- For installation as a downlight only



## Codes/Standards

UL 1598  
CSA C22.2 No. 250.0

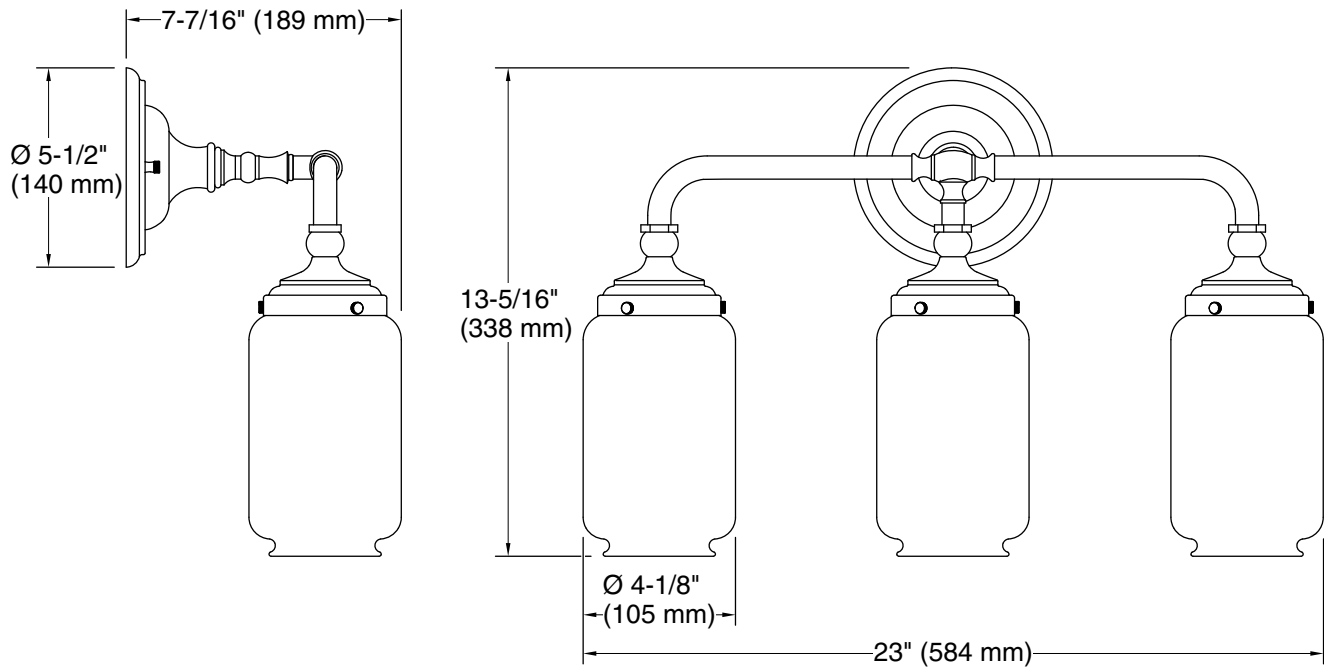
## KOHLER® Indoor Lighting Fixtures Limited Warranty

See website for detailed warranty information.

## Available Colors/Finishes

*Color tiles intended for reference only.*

Color	Code	Description
	SNL	Polished Nickel
	TTL	Titanium
	BNL	Brushed Nickel
	CPL	Polished Chrome
	BLL	Matte Black
	AFL	French Gold
	BVL	Brushed Bronze
	2GL	Brushed Moderne Brass



## Required Electrical Service

One circuit required.

120 V, 1 A

## Technical Information

All product dimensions are nominal.

Material:	Steel, Brass, Glass
Number of Lights:	3
Lighting Type:	Socket-based
Socket Type:	E-26 Medium
Number of Shades:	6
Shade Type:	Glass - frosted, Glass - clear
Hanging Type:	Non-hanging