



Strive®
35-1/2" undermount double-bowl farmhouse kitchen
sink with accessories
K-33159

Features

- Fits minimum 36" (914 mm) apron sink base cabinet
- Double-equal bowls
- 9-1/8" (232 mm) depth provides generous workspace
- Rear drains increase workspace in the sink and storage space underneath
- Box includes: Sink, sink rack, installation hardware, cutout template
- Rounded 3/8" (10 mm) corners are easy to clean
- SilentShield® sound-absorption technology offers quieter performance
- Sink drain with strainer sold separately
- Self-Trimming® apron overlaps cabinet face for easy installation and beautiful results

Material

- KOHLER stainless steel sinks resist corrosion and tarnishing
- Premium 16-gauge stainless steel

Installation

- Undermount

Optional Products/Accessories

- K-8801 Sink drain and strainer with tailpiece
- K-11352 Disposal Flange with Stopper
- K-23729 Stainless steel cleaner

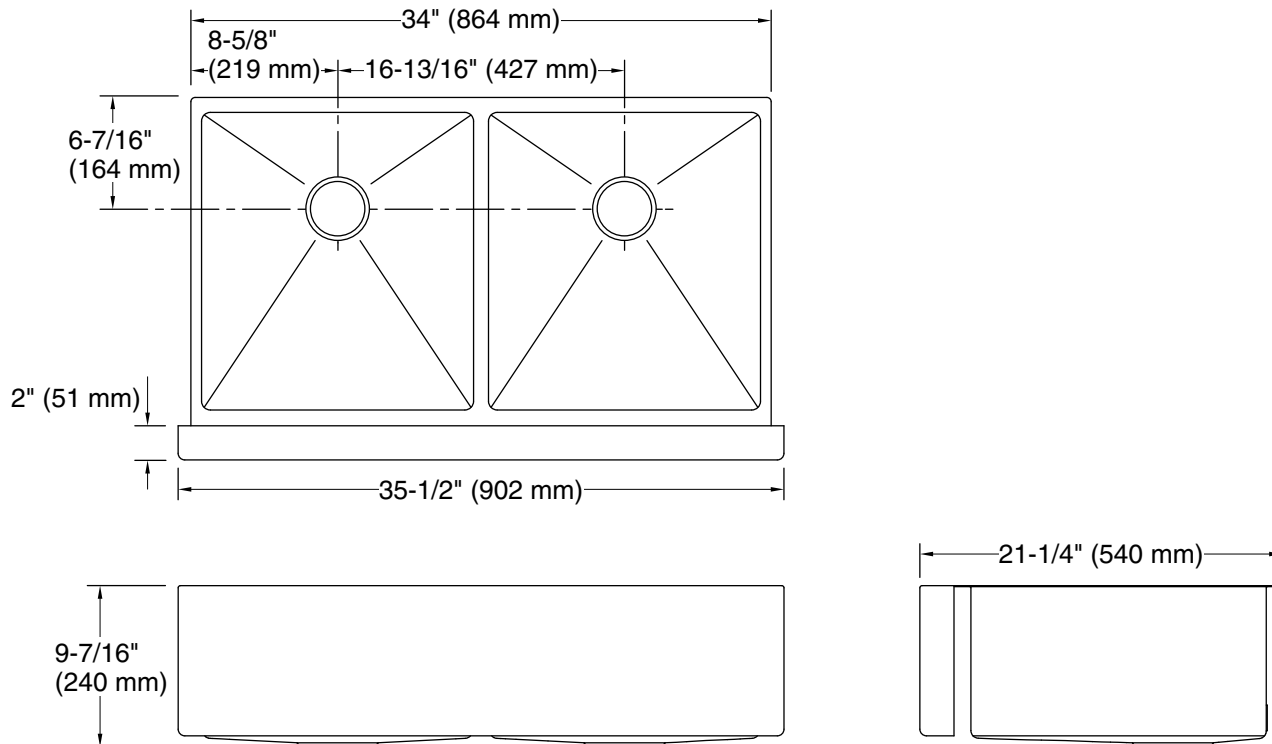


Codes/Standards

ASME A112.19.3/CSA B45.4

KOHLER® Stainless Steel Sinks Lifetime Limited Warranty

See website for detailed warranty information.



Technical Information

All product dimensions are nominal.

Basin configuration: Equal Bowls

Min. base cabinet width: 36" (914 mm)

Bowl area (Double Equal Basins):
Length: 15-11/16" (399 mm)
Width: 17-3/16" (437 mm)
Bowl depth: 9-1/8" (232 mm)
Water depth: 9-1/8" (232 mm)

Bowl area (Double Equal Basins):
Length: 15-11/16" (399 mm)
Width: 17-3/16" (437 mm)
Bowl depth: 9-1/8" (232 mm)
Water depth: 9-1/8" (232 mm)

Drain hole: 3-3/4" (94 mm)

Template: Undermount, 1224194-7, required, included

Notes

Install this product according to the installation instructions.

IMPORTANT! The distance from the top edge of the cabinet to the top of the cabinet door must be at least 8-13/16" (224 mm) to install this sink.

NOTICE: Countertop manufacturer or cutter must use the cut-out template provided with the product, or a current one provided by Kohler Co. (call 1-800-4KOHLER). Kohler Co. is not responsible for cutout errors when the incorrect cut-out template is used.