

### Features

- Designed in collaboration with Studio McGee
- Set includes cabinet, precut quartz vanity top, backsplash, sinks, cabinet hardware
- Full-extension 17" (432 mm) drawers with soft-close undermount slides
- Removable dividers in top drawers to personalize drawer organization
- Three-way adjustable soft-close door hinges for easy cabinet access
- 20-7/16" (519 mm) cabinet interior provides ample storage space
- Finish-matched cabinet interior offers generous clearance for plumbing
- Two internal electrical outlets and two USB ports for powering small devices
- Two stainless steel storage holders for hairdryers, curling irons, or accessories
- Vanity top has 8" (203 mm) widespread faucet holes; requires deck-mount faucets (sold separately)
- Vibrant® Polished Nickel hardware included on White and Draper Oak vanities; Vibrant Brushed Moderne Brass hardware on White Oak vanities. Additional hardware finishes are available (sold separately)
- Bianco Bella (GBB) quartz vanity top adds beauty and long-lasting durability
- Coordinates with Bianco Bella (GBB) quartz side splash (sold separately)

### Material

- Quartz vanity top
- Vitreous china sinks
- Solid and composite wood

### Installation

- Easy installation – no special tools required
- Sinks preinstalled on vanity top to simplify installation

### Recommended Products/Accessories

K-38554 4" x 21-11/16" quartz side splash



### Codes/Standards



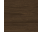
ASME A112.19.2/CSA B45.1  
EPA TSCA Title VI/CARB P2

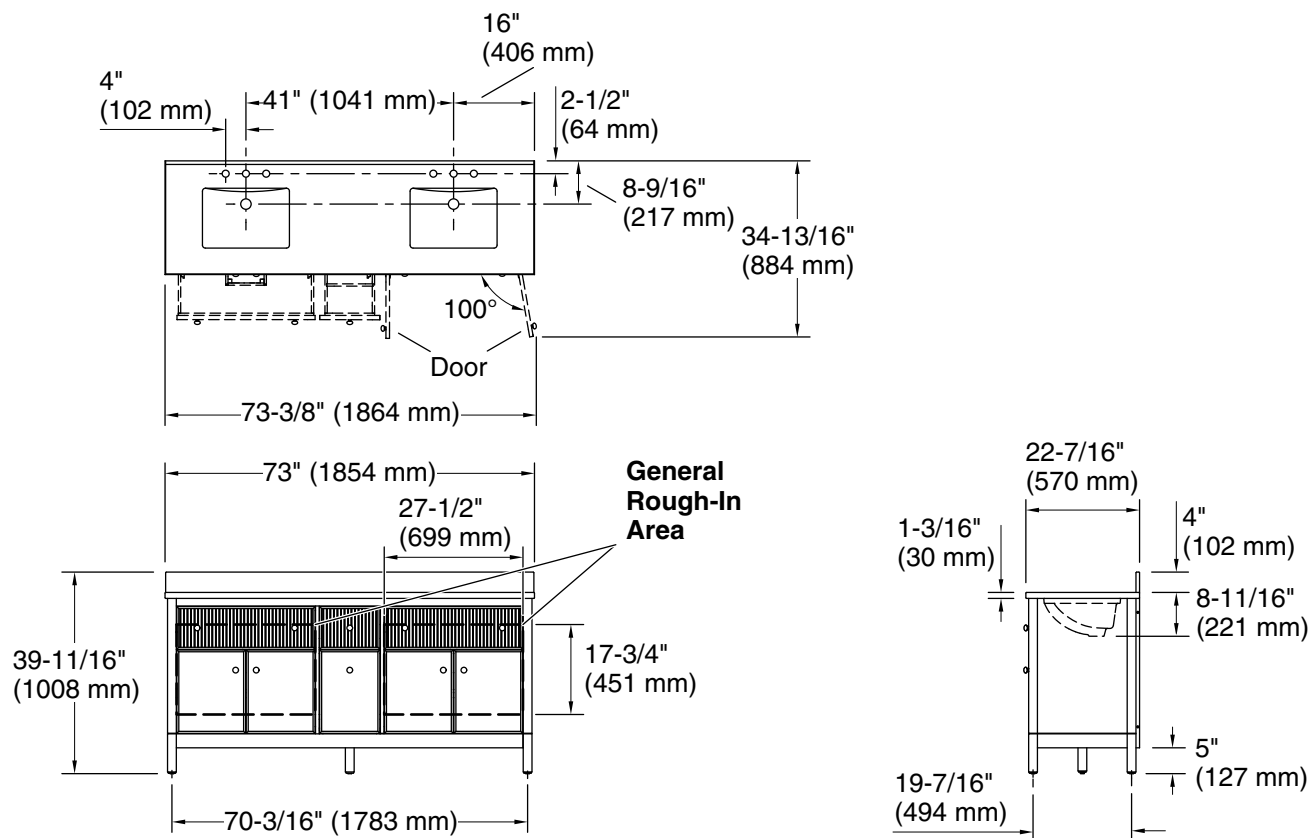
### KOHLER® One-Year Limited Warranty

See website for detailed warranty information.

### Available Colors/Finishes

*Color tiles intended for reference only.*

Color	Code	Description
	0	White
	SWK	White Oak
	DAK	Draper Oak



### Required Electrical Service

One circuit required.

Outlet: 120 V, 12 A, 60 Hz

### Technical Information

All product dimensions are nominal.

Charge voltage: USB 5 V

Lighting included: No

Electrical component rating: Outlet: 120 V, 12 A, 60 Hz

### Notes

Install this product according to the installation instructions.

Select the type of fastener based upon the wall material. Two 250 lb (113.4 kg) minimum load bearing fasteners are recommended with a lag bolt of length to clear obstacles in the wall and 5/16" washers. Calculate the proper lag bolt length by adding the 1-1/2" (38 mm) backing material, plus the wallboard thickness, plus the back rail thickness.