



**Verdera®**  
24" round medicine cabinet  
**K-35572-NFC**

**Features**

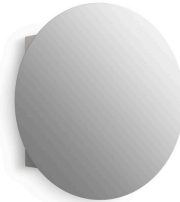
- Front mirror, inside door mirror, and back panel mirror provide superior visibility to make grooming easier
- One adjustable tempered-glass shelf
- Half-shelf adjustable accessory shelf for additional storage
- Hinges have 110° opening capability
- Box includes: Assembled mirrored cabinet, side panel kit, installation hardware

**Material**

- Anodized aluminum construction with a durable rustproof and chip-resistant finish
- KOHLER finishes resist corrosion and tarnishing

**Installation**

- Surface-mount or recessed
- Can be installed with left- or right-hand swing

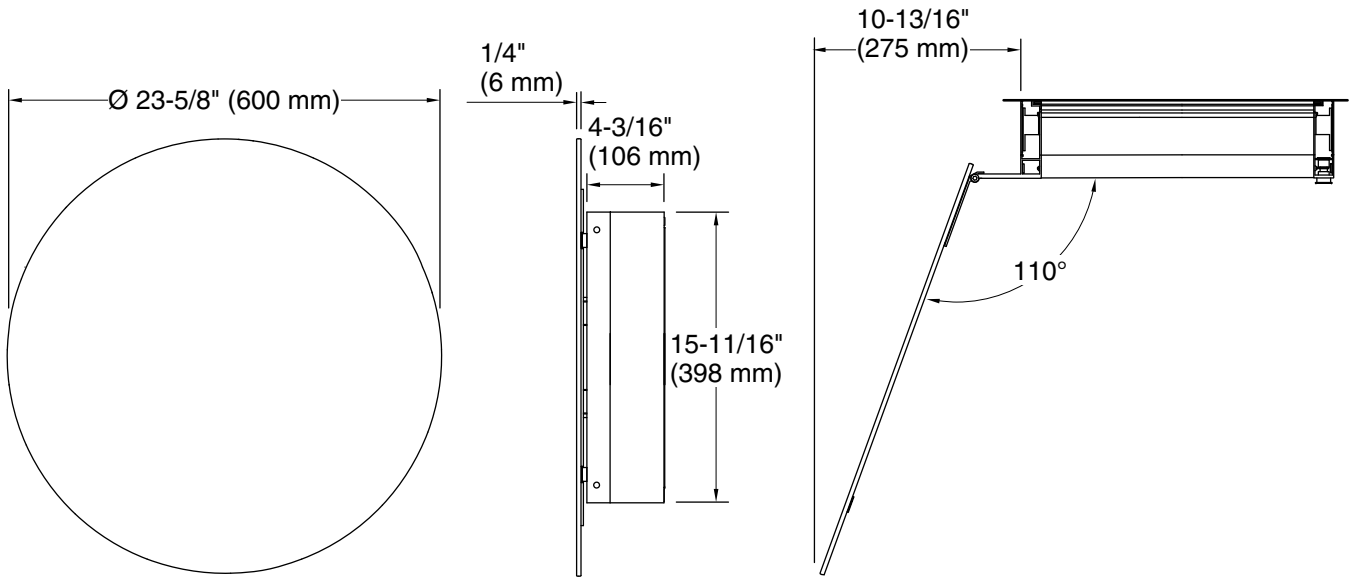
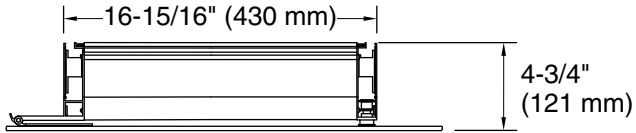


**Codes/Standards**

None Applicable

**KOHLER® One-Year Limited  
Warranty**

See website for detailed warranty information.



### Technical Information

All product dimensions are nominal.

Lighting included: No

### Notes

Install this product according to the installation instructions.