



# Memoirs® Stately

ContinuousClean ST two-piece elongated toilet, 1.28  
gpf  
K-36669

## Features

- Two-piece design
- Elongated bowl offers added room and comfort
- Comfort Height® feature offers chair-height seating that makes sitting down and standing up easier for most adults
- 1.28 gpf (4.8 lpf)
- Left-hand Polished Chrome trip lever
- 2-1/8" (54 mm) fully glazed trapway
- Concealed trapway and Clean Caps® low-profile bolt caps facilitate easier cleaning and enhance design
- ContinuousClean system automatically dispenses cleaning solution with every flush
- Works with any white toilet bowl cleaner tablet. Tablets last up to six months in ContinuousClean ST system
- Precision-engineered patented tank, bowl, and trapway create strong siphon during flushing
- AquaPiston® canister optimizes the flow out of the tank, harnessing gravity and the natural, powerful reducing cascade of water to increase the power and effectiveness of the flush
- Easy-to-flush canister design requires less force to actuate than a 3" (76 mm) flapper, and has 90% less exposed seal material which resists conditions that cause wear, tear, shrinkage and swelling

## Installation

- Three-bolt quick-connect installation
- Standard 12" (305 mm) rough-in
- Seat and supply line sold separately

## Recommended Products/Accessories

K-5588 Purefresh® Deodorizing elongated toilet seat  
K-4108 PureWash® E750 Elongated bidet toilet seat with remote control  
K-9167-L Trip Lever  
1023457 Wax Ring/Hardware Kit  
1265114 Connector Hose  
K-23726 Drain treatment

## Included Components

K-5626 Elongated bowl with concealed trapway  
K-33434 ContinuousClean toilet tank, 1.28 gpf



ADA

CSA B651

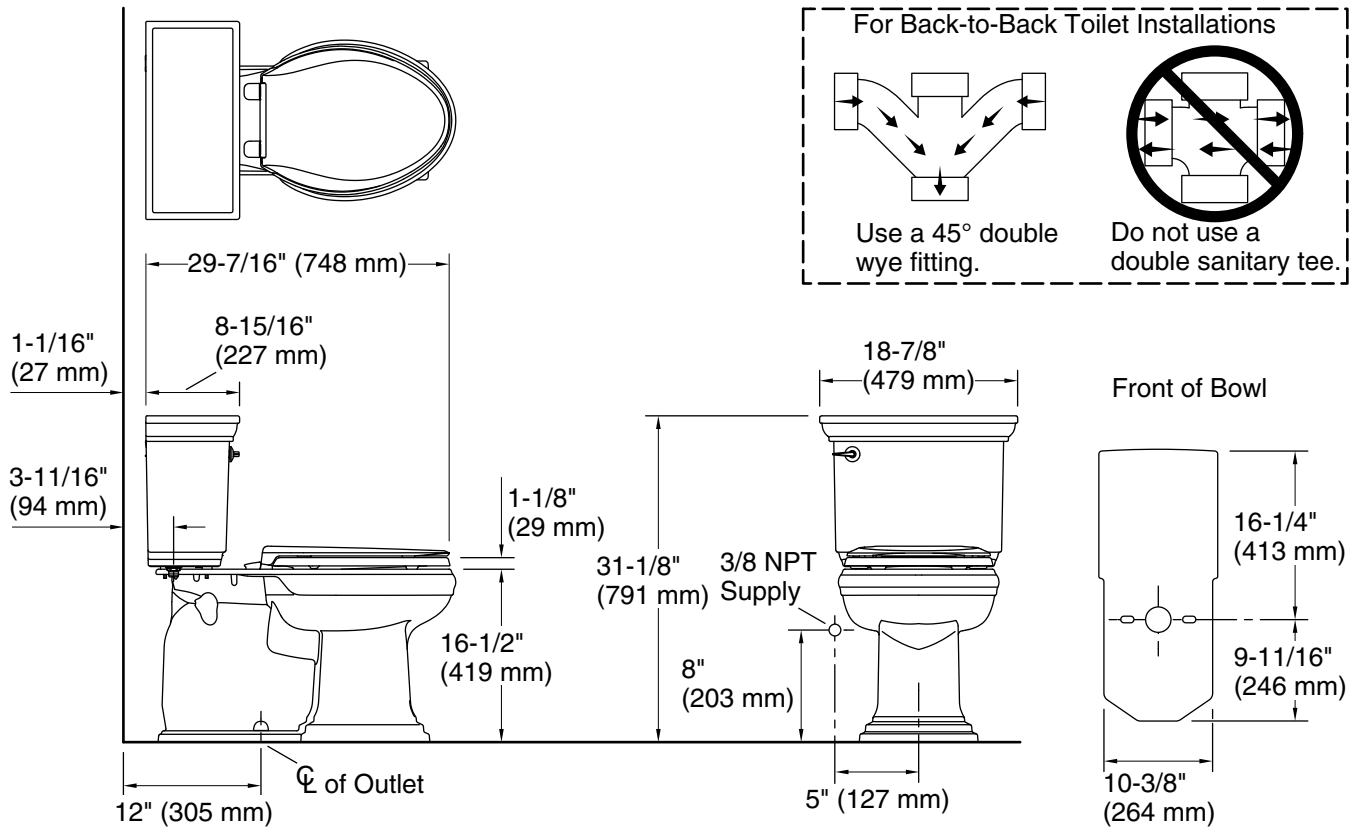
OBC

## Codes/Standards

ASME A112.19.2/CSA B45.1  
DOE - Energy Policy Act 1992  
EPA WaterSense®  
California Energy Commission (CEC)  
ADA  
ICC/ANSI A117.1  
CSA B651  
OBC

## KOHLER® Toilets and Seats Limited Warranty

See website for detailed warranty information.



### Technical Information

All product dimensions are nominal.

|                       |                                    |
|-----------------------|------------------------------------|
| Toilet type:          | Floor-mount                        |
| Waste Outlet:         | Floor                              |
| Bowl shape:           | Elongated                          |
| Flush type:           | AquaPiston                         |
| Trap passageway:      | 2-1/8" (54 mm)                     |
| Water surface size:   | 11-1/8" x 8-1/2" (283 mm x 216 mm) |
| Rim to water surface: | 5-3/8" (137 mm)                    |
| Rough-in:             | 12" (305 mm)                       |
| Seat-mounting holes:  | 5-1/2" (140 mm)                    |

### Fixture Supply Requirements

|                      |                    |
|----------------------|--------------------|
| Min static pressure: | 20 psi (137.9 kPa) |
| Max static pressure: | 80 psi (551.6 kPa) |

### Notes

Install this product according to the installation instructions.

Product dimensions are nominal and may vary per ASME A112.19.2 tolerances.

ADA, OBC, CSA B651 compliant when installed to the specific requirements of these regulations.

Plumbing codes may require elongated toilets and elongated, open-front seats in public bathrooms.

Accessibility standards may require controls to be located on the open side of the toilet.