

Features

- Frameless design emphasizes glass and creates a sleek, minimalist look
- Vertical handle with inside knob on moving panel
- Tempered glass ensures enhanced safety and durability
- CleanCoat®+ glass coating creates a hydrophobic barrier that repels water, soap scum, and residue, saving time and protecting shower doors 10 times longer than original CleanCoat. (Based on 2021 internal wear/abrasion testing using a microfiber cloth.)
- Smooth, easy-to-clean wall jambs
- SealNetik™ full-length magnetic seal keeps door firmly closed, providing excellent water containment
- Shower door configuration consists of one sliding panel and one stationary panel
- Coordinates with other products in the Rely collection

Material

- Frameless, 3/8" (10 mm) thick Crystal Clear tempered glass
- Anodized aluminum prevents rust and corrosion

Installation

- Fits opening widths 44-5/8" – 47-5/8" (1133 – 1210 mm)
- 77" (1956 mm) high, with a lofty 73-7/8" (1876 mm) minimum head clearance
- 3" (76 mm) width adjustment
- Out-of-plumb adjustability simplifies installation
- Door can be installed to open to the left or right to suit your bathroom layout
- For residential and hospitality use



Codes/Standards

ANSI Z97.1
CAN/CGSB-12.1
CPSC 16CFR 1201

KOHLER® Bath and Shower Doors Ten-Year Limited Warranty KOHLER® Bath and Shower Doors Commercial One-Year Limited Warranty

See website for detailed warranty information.

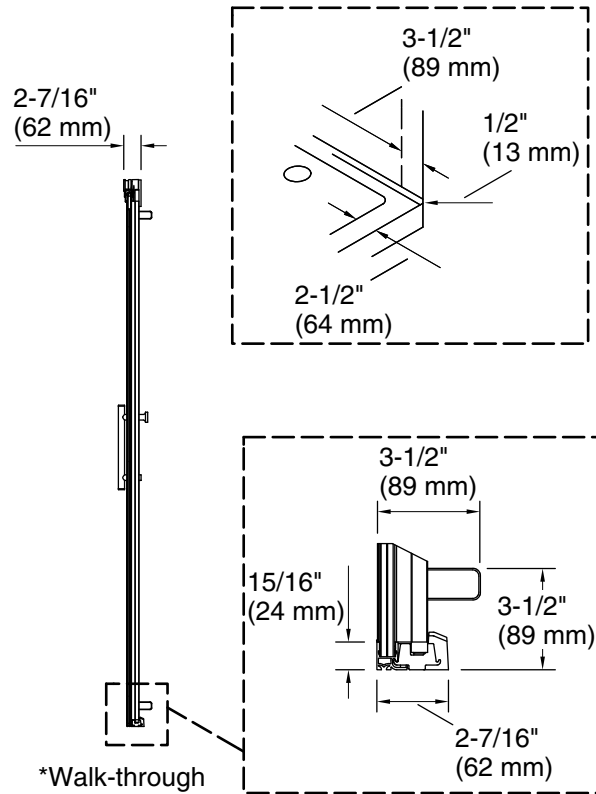
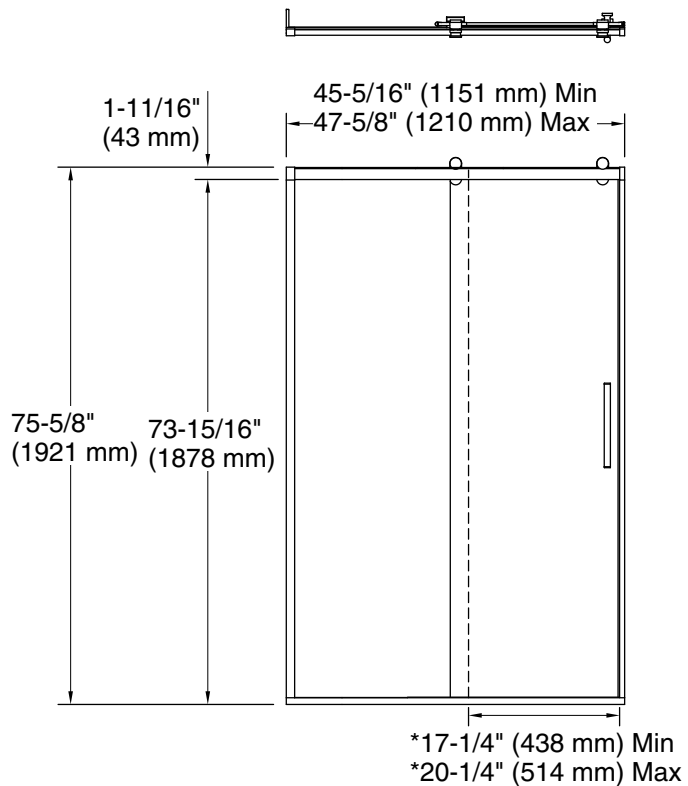
Available Colors/Finishes

Color tiles intended for reference only.

Color	Code	Description
	SHP	Bright Polished Silver
	2MB	Vibrant® Brushed Moderne Brass
	BL	Matte Black
	BNK	Anodized Brushed Nickel

Available Glass Options

Code	Description
L	Crystal Clear



Technical Information

All product dimensions are nominal.

Base-To-Wall	$1/2"$ (13 mm)
Radius – Max:	
Shower Ledge Min	$2-1/2"$ (64 mm)
Flat:	
Shower Wall Min	$3-1/2"$ (89 mm)
Flat:	

Notes

The vertical opening should be a minimum of $78-1/2"$ (1994 mm) to allow for installation clearance.