

Features

- 0.35 gpm (1.3 lpm) maximum flow rate at 60 psi (4.14 bar)
- Vandal-resistant aerator
- Factory-set 30-second maximum continual run cycle
- Temperature control handle option
- 24" (610 mm) flexible supply hose for easy installation
- Less drain
- Includes 3.6 volt Hybrid Energy Cell

Material

- Brass

Technology

- Electronic Insight™ sensor technology for accurate and consistent activation

Installation

- Single-hole mounting
- Above-counter valve for easy installation and maintenance



ADA

CSA B651

OBC

Codes/Standards

ASME A112.18.1/CSA B125.1
NSF/ANSI/CAN 372
DOE - Energy Policy Act 1992
California Energy Commission (CEC)
ADA
ICC/ANSI A117.1
CSA B651
OBC

KOHLER® One-Year Limited Warranty

See website for detailed warranty information.

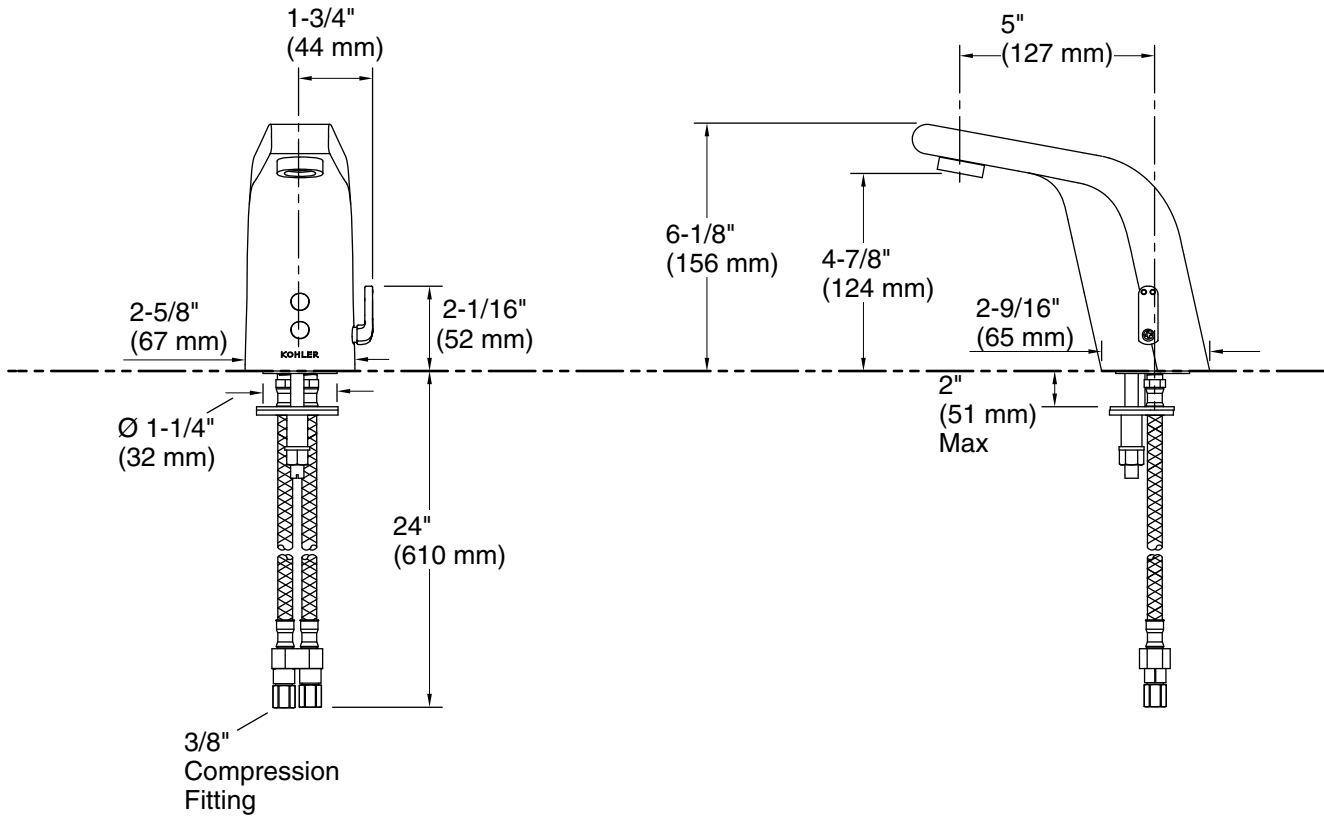
Available Colors/Finishes

Color tiles intended for reference only.

Color	Code	Description
-------	------	-------------



CP	Polished Chrome
----	-----------------



Technical Information

All product dimensions are nominal.

Power source: Hybrid Energy Cell, included

Faucet flow rate: 0.35 gal/min (1.3 l/min)

Spout:

Spout reach: 5" (127 mm)

Notes

Install this product according to the installation instructions.

ADA, OBC, CSA B651 compliant when installed to the specific requirements of these regulations.