



Sartorial™ Herringbone Carillon®

17-1/2" round drop-in bathroom sink, no overflow
K-75748-HD2

Features

- Decorated with a textural Herringbone design on Black background
- Round basin with subtle lift at edges
- Wading pool design accommodates a wide variety of faucets
- No faucet holes; requires wall- or counter-mount faucet

Material

- Vitreous china

Installation

- Vessel

Recommended Products/Accessories

- K-23726 Drain treatment
- K-23725 Cast iron cleaner



ADA

CSA B651

Codes/Standards

ASME A112.19.2/CSA B45.1
ADA
ICC/ANSI A117.1
CSA B651

KOHLER® Vitreous China Bathroom Sink Lifetime Limited Warranty

See website for detailed warranty information.

Available Colors/Finishes

Color tiles intended for reference only.

| Color | Code | Description |
|-------|------|-------------|
|-------|------|-------------|

| | | |
|---|---|--------------|
|  | 7 | Black Black™ |
|---|---|--------------|

1-800-4KOHLER (1-800-456-4537)

Kohler Co. reserves the right to make revisions without notice to product specifications.

For the most current Specification Sheet, go to www.kohler.com USA or www.kohler.ca Canada

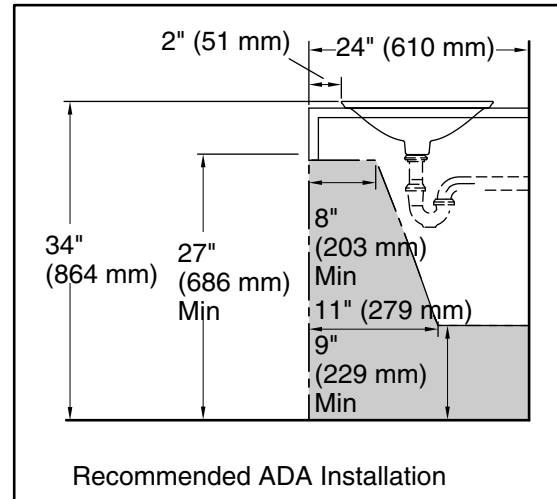
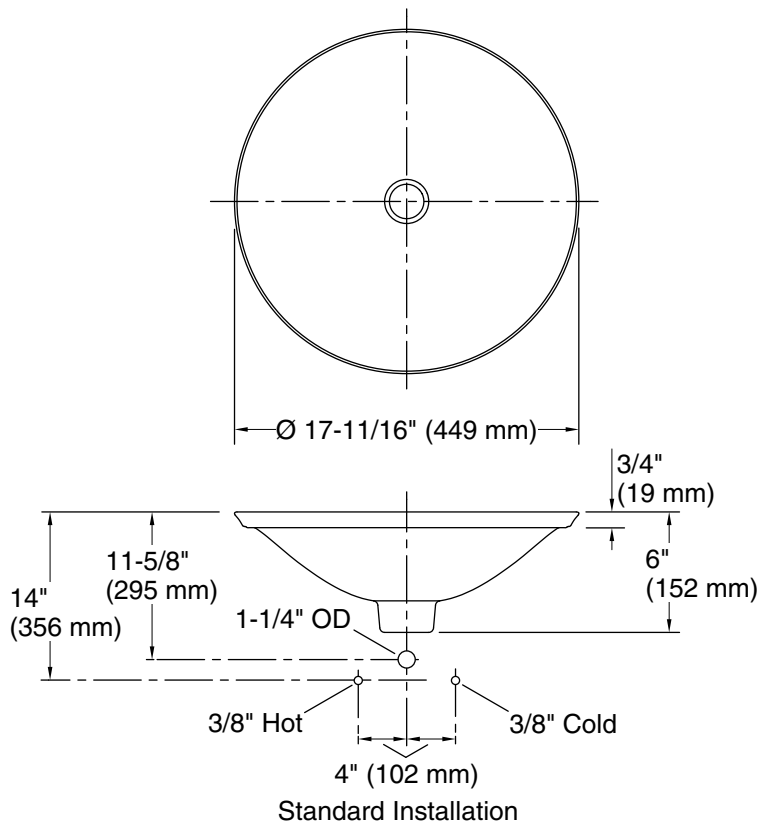
10-2-2025 20:29 - US/CA

THE BOLD LOOK
OF **KOHLER**®



Sartorial™ Herringbone Carillon®

17-1/2" round drop-in bathroom sink, no overflow
K-75748-HD2



Technical Information

All product dimensions are nominal.

| | |
|----------------------|-----------------------------|
| Basin configuration: | Single Bowl |
| Bowl area (Only): | Length: 17-1/4" (437 mm) |
| | Width: 17-1/4" (437 mm) |
| | Bowl depth: 4" (102 mm) |
| | Water depth: 4" (102 mm) |
| With overflow: | No |
| Template: | 1242827, required, included |

Notes

Install this product according to the installation instructions.

NOTICE: Countertop manufacturer or cutter must use the current product template available at www.kohler.com, or by calling 1-800-4KOHLER. Kohler Co. is not responsible for cutout errors when the incorrect cutout template is used.

Product dimensions are nominal and may vary per ASME A112.19.2 tolerances.

ADA, CSA B651 compliant when installed to the specific requirements of these regulations.