

Features

- MasterClean™ sprayface features an easy-to-clean surface that withstands mineral buildup and maximizes spray performance
- 2.5 gpm (9.5 lpm) maximum flow rate at 45 psi (3.1 bar)
- Optimized sprayface features a nozzle geometry that delivers a more focused coverage of large water droplets, both minimizing wasteful overspray and increasing cleaning and hair-rinsing performance
- Translucent nozzle color provides improved visual aesthetic with all available finishes
- Slidebar bracket allows you to adjust height and angle of handshower
- Diverter at base of column makes for easy toggling between handshower and showerhead

Material

- Durable material construction
- KOHLER finishes resist corrosion and tarnishing

Technology

- Katalyst® air-induction technology infuses water with air, creating bigger drops for a more powerful spray

Installation

- Shower-only wall-mount installation
- Installs in less than 60 minutes without changes to in-wall plumbing (subject to condition of existing installation)
- May require additional service parts based on installation type (see installation guide for details)
- Includes an adapter that will fit with most installations but may require K-1194630, K-1187917 or K-1194302

Recommended Products/Accessories

- 1194302 Large Escutcheon/Mounting Collar Kit
- 1194630 1/2" NPT Deep Rough-in Kit
- 1187917 1/2" NPT Shallow Rough-in Kit

Included Components

- K-45906 Shower column
- K-72774 Single-function showerhead, 2.0 gpm
- K-72776 Single-function 2.0 gpm handshower
- K-9514 60" Shower Hose



Codes/Standards




ASME A112.18.1/CSA B125.1
DOE - Energy Policy Act 1992

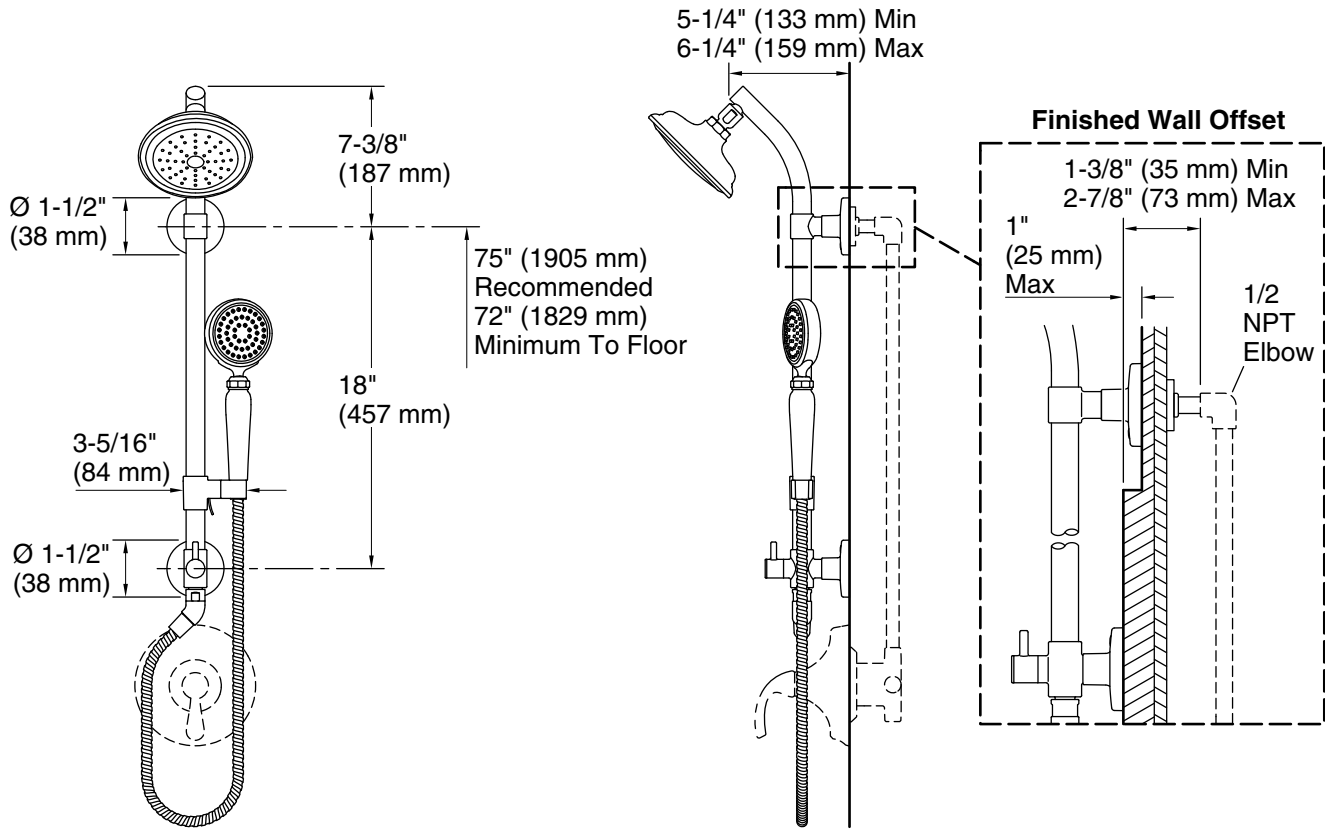
KOHLER® Faucet Lifetime Limited Warranty

See website for detailed warranty information.

Available Colors/Finishes

Color tiles intended for reference only.

Color	Code	Description
	CP	Polished Chrome
	SN	Vibrant® Polished Nickel
	BN	Vibrant® Brushed Nickel



Technical Information

All product dimensions are nominal.

Spout:

Handshower rated max flow: 2.5 gal/min (9.5 l/min)

Shower/Rainhead rated max flow: 2.5 gal/min (9.5 l/min)

Notes

Install this product according to the installation instructions.

For use with showerheads or handsprays rated at 0 gal/min (0 l/min) or higher.

IMPORTANT! The sidebar must be mounted to stud framing at both the top and bottom mounting locations. Do not use or depend on plastic wall anchors to attach the sidebar.

Plumbing codes may require that an atmospheric vacuum breaker be installed in-line to handshowers. Consult with local codes.