

Features

- For use with K-28829 in-wall tank and carrier system
- Auto-flush technology monitors a person's use time and determines if a 0.8 or 1.6 gpf (3.0 or 6.0 lpf) flush volume is needed
- Large flush actuator plate is easily removed, allowing access to inner tank and flush valve for service
- Two backlit flush sensors serve as a nightlight in low-light conditions
- Manual backup flush button in the event of power failure

Material

- Premium material construction for durability and reliability
- KOHLER finishes resist corrosion and tarnishing

Installation

- Requires behind-wall electrical connection

Required Products/Accessories

K-28236

Optional Products/Accessories

K-28829 In-wall tank and carrier system



ADA

CSA B651

OBC

Codes/Standards

ADA

ICC/ANSI A117.1

CSA B651

OBC

KOHLER® Toilets and Seats Limited Warranty

See website for detailed warranty information.

Available Colors/Finishes

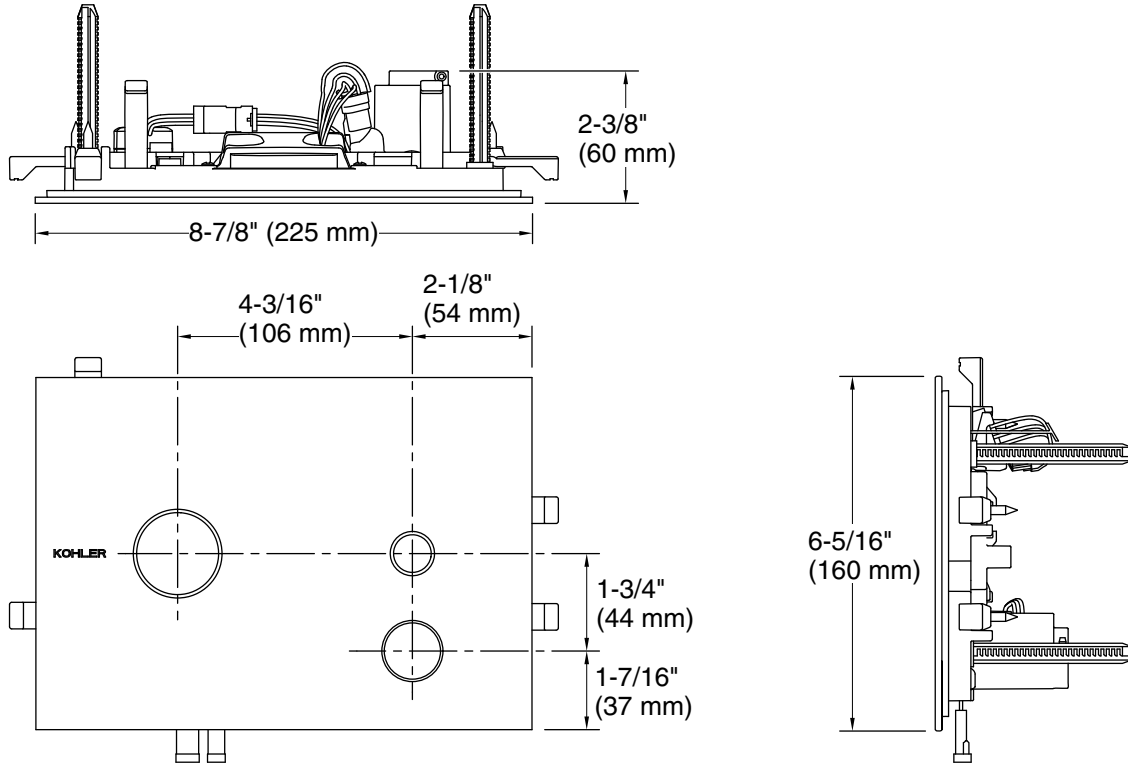
Color tiles intended for reference only.

Color	Code	Description
-------	------	-------------



7

Black Black™



Technical Information

All product dimensions are nominal.

Material: Glass

Notes

ADA, OBC, CSA B651 compliant when installed to the specific requirements of these regulations.