

### Features

- 0.35 gpm (1.3 lpm) maximum flow rate at 60 psi (4.14 bar)
- Vandal-resistant aerator
- Lever handles
- Quarter-turn washerless ceramic disc valves
- KOHLER® ceramic disc valves exceed industry longevity standards for a lifetime of durable performance
- Less drain

### Material

- Solid-brass construction for durability and reliability

### Installation

- For 8" – 16" (203 – 406 mm) centers



ADA

CSA B651

OBC

### Codes/Standards

ASME A112.18.1/CSA B125.1  
NSF/ANSI/CAN 372  
DOE - Energy Policy Act 1992  
California Energy Commission (CEC)  
ADA  
ICC/ANSI A117.1  
CSA B651  
OBC

### KOHLER® One-Year Limited Warranty

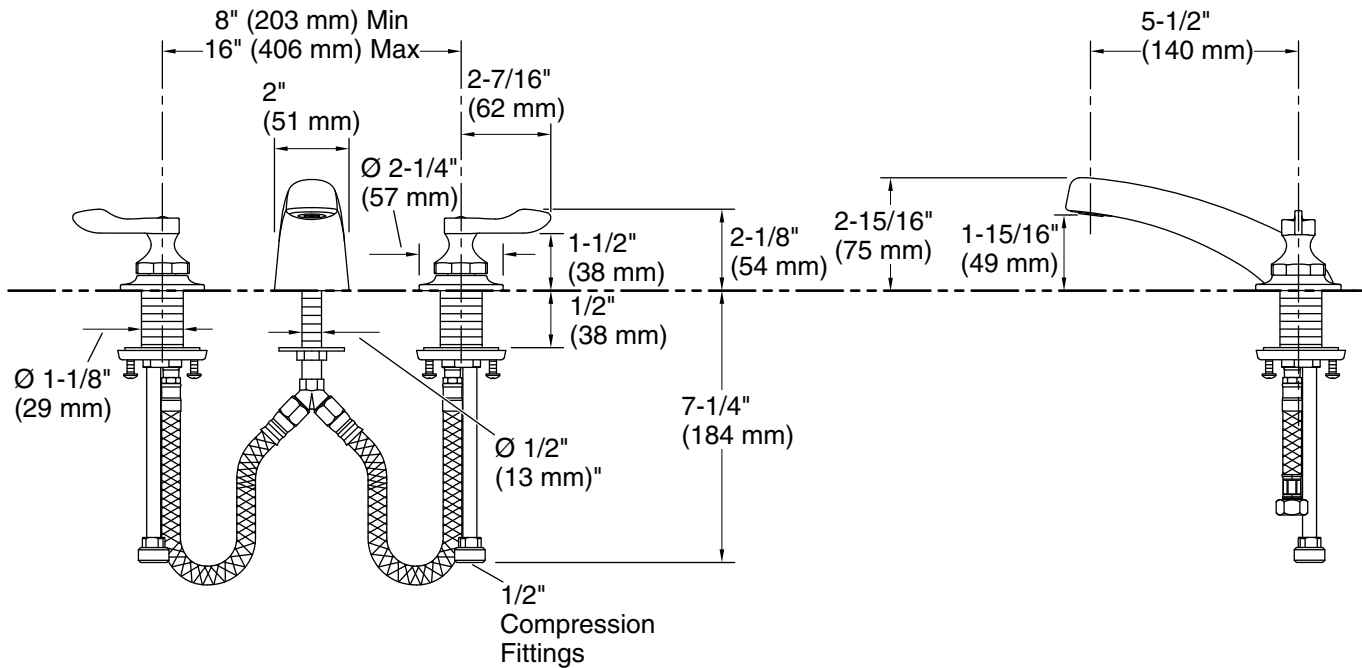
See website for detailed warranty information.

### Available Colors/Finishes

*Color tiles intended for reference only.*

#### Color Code Description

 CP Polished Chrome



### Technical Information

All product dimensions are nominal.

Faucet flow rate: 0.35 gal/min (1.3 l/min)

### Spout:

Spout reach: 5-1/2" (140 mm)

### Notes

Install this product according to the installation instructions.

ADA, OBC, CSA B651 compliant when installed to the specific requirements of these regulations.