

### Features

- Advanced spray engine provides three alternate experiences: wide coverage, intense drenching, and targeted spray
- Wide coverage spray produces an encompassing spray for everyday use
- Intense drenching spray delivers a forceful spray ideal for rinsing shampoo from hair
- Targeted spray is a focused stream for targeting sore muscles or use as a utility spray
- Thumb tab allows for a smooth transition between sprays
- MasterClean™ sprayface features an easy-to-clean surface that withstands mineral buildup and maximizes spray performance
- 2.5 gpm (9.5 lpm) maximum flow rate at 45 psi (3.1 bar)
- Slidebar features adjustable mounting brackets for installation flexibility
- 60" (1524 mm) hose length

### Material

- Durable material construction
- KOHLER finishes resist corrosion and tarnishing

### Installation

- Wall-mount

### Recommended Products/Accessories

- K-30646 Showerhead filter
- K-30647 Showerhead replacement filter, two-pack



### Codes/Standards



ASME A112.18.1/CSA B125.1  
DOE - Energy Policy Act 1992

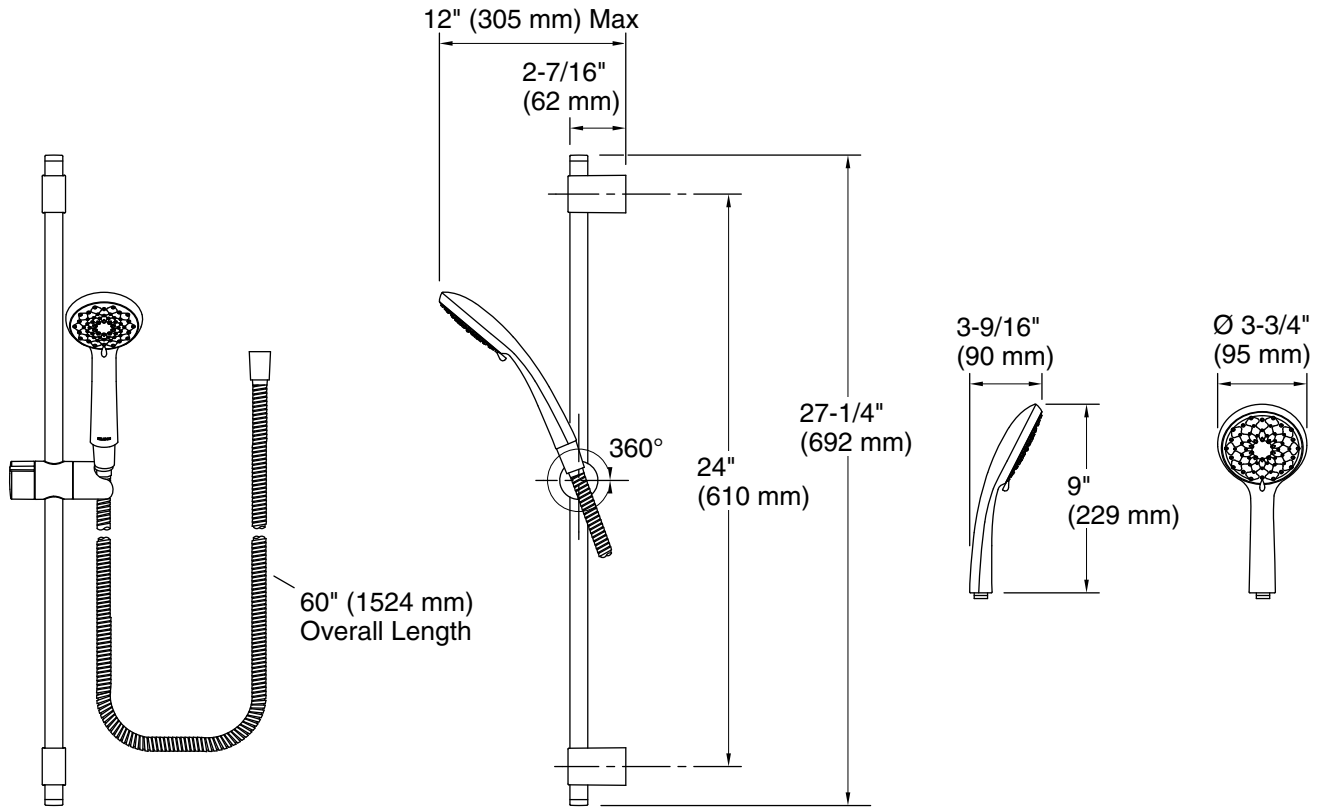
### KOHLER® Faucet Lifetime Limited Warranty

See website for detailed warranty information.

### Available Colors/Finishes

*Color tiles intended for reference only.*

Color	Code	Description
	CP	Polished Chrome
	BN	Vibrant® Brushed Nickel



**Technical Information**

All product dimensions are nominal.

**Spout:**

Handshower rated max flow: 2.5 gal/min (9.5 l/min)

**Notes**

Install this product according to the installation instructions.

Plumbing codes require approved backflow prevention devices to be installed in-line to handshowers. Please consult with local plumbing officials.

Mount the slidebar to stud framing or install backing support. For tile or other solid finish surfaces: Pre-drill mounting holes through surface material only; do not drill into the stud. For drywall surface: No pre-drill is required.

NOTE: The mounting brackets can be adjusted to align with existing holes for retrofit installations.