



Escale®
Elongated toilet seat
K-E70004

Features

- Metal hinges
- Closed-front seat

Material

- Plastic construction



Codes/Standards

None Applicable


**KOHLER® One-Year Limited
Warranty**

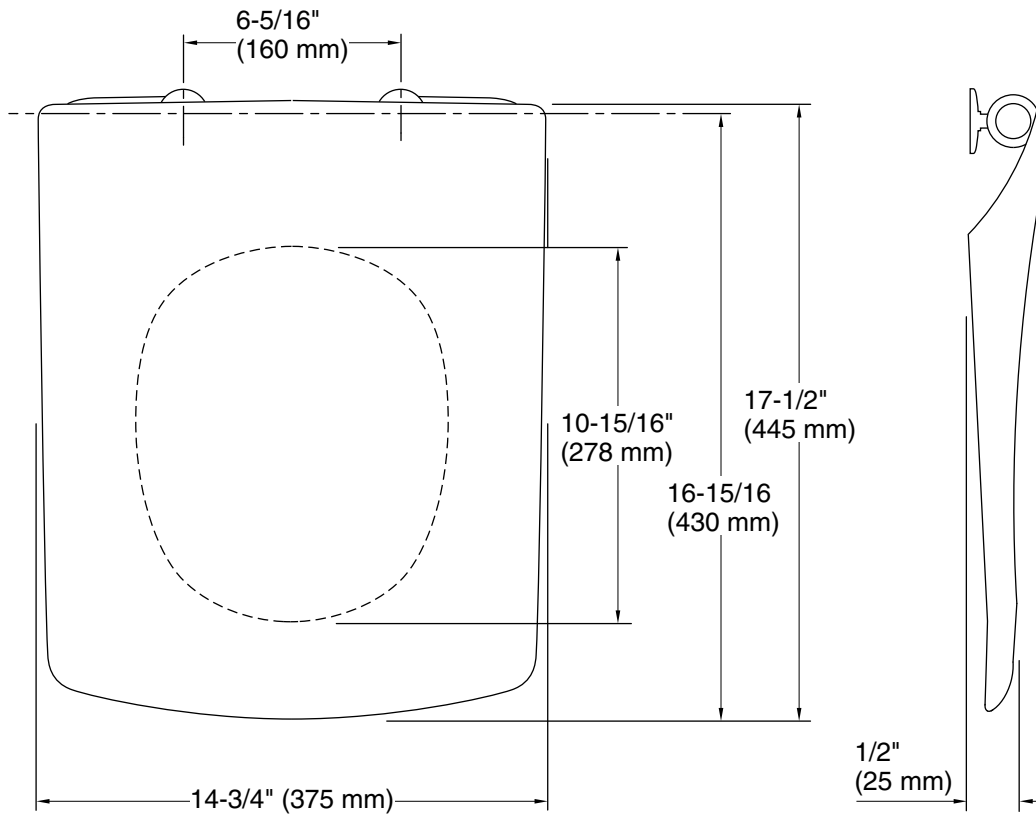
See website for detailed warranty information.

Available Colors/Finishes

Color tiles intended for reference only.

Color Code Description

	0	White
---	---	-------



Technical Information

All product dimensions are nominal.

Seat shape type: Elongated
Seat front type: Closed-front
Seat-mounting holes: 6-5/16" (160 mm)

Pressure/fixture Supply Requirements